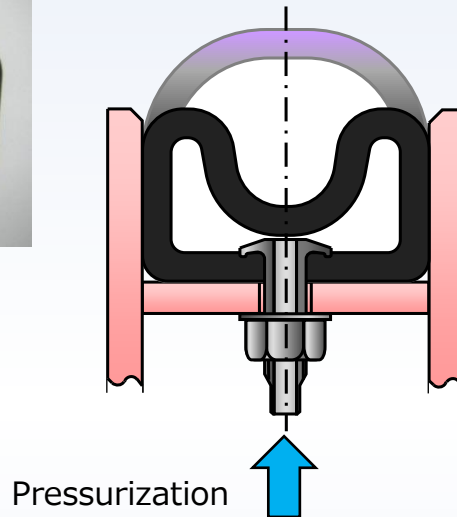
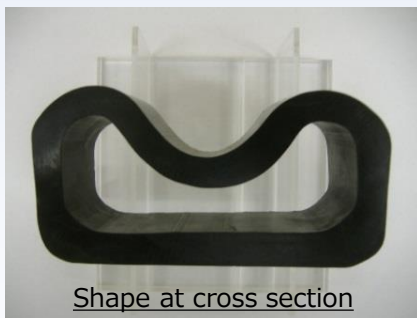


# TUBE SEAL

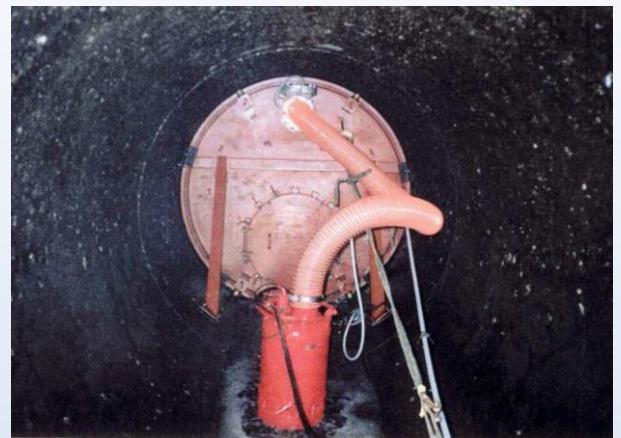
TUBE SEAL made from rubber with hollow interior has its sealing function by inflating via filling media such as air, liquid or oil.



Example of Application; 1  
Tunnel construction  
(sealing inner annulus)



Example of Application; 2  
Plugs for sewerage works (Sealing outer annulus).

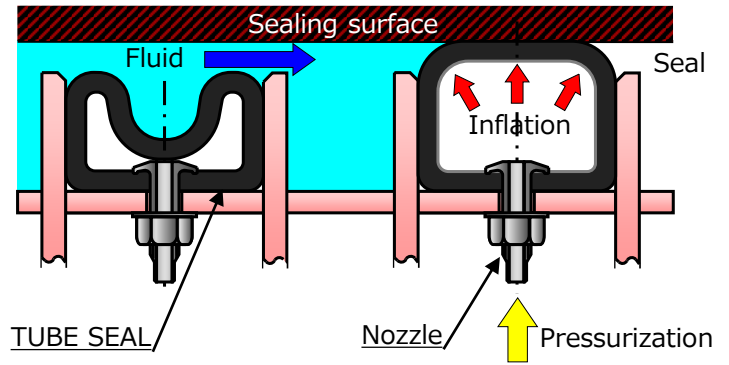


Using situation in  $\phi 2400\text{mm}$  pipe  
(Remote operation in water)

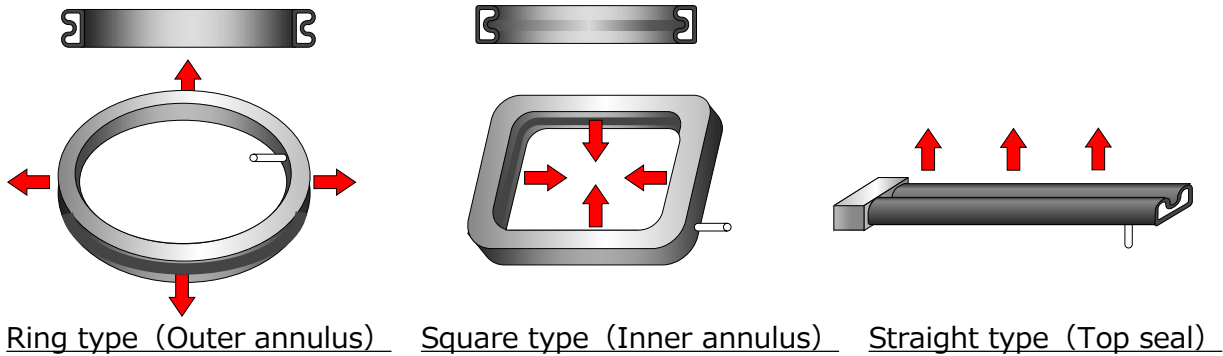
# Features

Possible to;

1. Seal a large clearance.
2. Adapt to various circumstances such as uneven sealing surface and vibration from outside.
3. Sealing pressure is remotely monitored and operated.
4. Adjust the surface pressure by controlling sealing pressure.



# Example of use



# Specifications (Flip type)

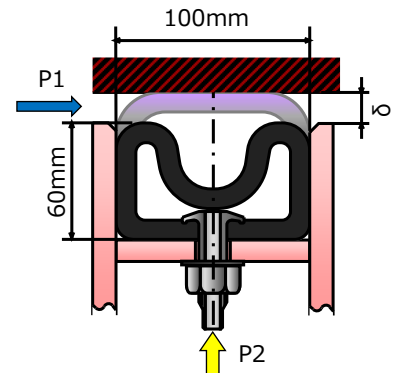
Material	CR
Hardness (Duro-A)	70±5
Tensile strength (MPa)	Min. 15
Elongation (%)	300

### Sealing performance

<Pressure control>  
 $P2 \geq P1 + 0.1 \text{ MPa}$

$\delta = 15 \pm 10 \text{ mm}$

Pressure resistance  
 Max. 0.5MPa



※Other specifications are available on request.

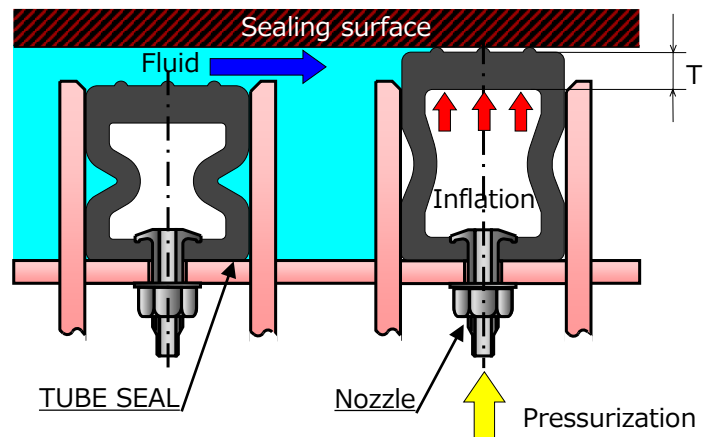
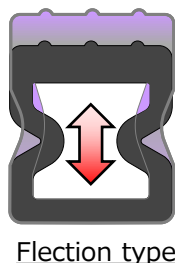
# Flection type

Our original and flagship model

The contacting surface is flat after inflated.

Thickness of tube is thicker than the clearance, which achieves high pressure resistance.

Clearance  $\leq T$



**MITSUBISHI RUBBER CO., LTD.**

•Head Office 2-1-31, Doujima, Kita-ku, Osaka 5300001  
 •Headquarter & Plant 2-3-5, Mitsugaoka, Nishi-ku, Kobe 6512228  
 •Tokyo Branch 1-8-7, Roppongi, Minato-ku, Tokyo 1060032  
 •Fukuoka Branch 2-1, Nakahara shinmachi, Tobata-ku, Kitakyushu 8040003  
 •Nagoya Branch 2-20-25, Marunouchi, Naka-ku, Nagoya 460-0002  
 •Oita Office 6-15, Harashinmachi, Oita 8700913  
 •Kisarazu Office 3-4-3, Yamato, Kisarazu-City, Chiba 2920805  
 •Kobe Office 9-1-30, Wakamatsu-cho, Nagata-ku, Kobe 6530038

TEL. +81-6-6344-3555 FAX. +81-6-6344-5660  
 TEL. +81-78-995-3331 FAX. +81-78-995-3332  
 TEL. +81-3-5114-8551 FAX. +81-3-5114-8552  
 TEL. +81-93-873-5606 FAX. +81-93-873-5606  
 TEL. +81-52-223-0202 FAX. +81-52-223-8256  
 TEL. +81-97-556-5615 FAX. +81-97-556-5711  
 TEL. +81-438-20-1600 FAX. +81-438-97-7336  
 TEL. +81-78-641-5681 FAX. +81-78-641-5033