

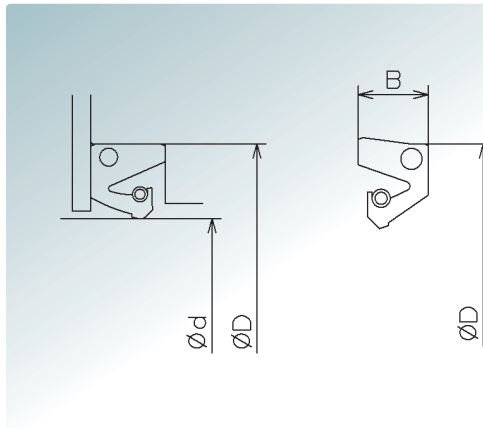
■Use... “Use” part is explaining about sealing object and installation precautions.

■Rotation speed... This part is explaining about seal’s applicable rotation speed based on our usage record.

※Please contact our Seals Department for higher rotation use.

## SWS type

※L type available.



### ■Use

- Grease and splash water seal.
- Applicable shaft eccentricity : ±1.5mm (For the shaft diameter 200mm, applicable shaft eccentricity must be : ±1.5mm)
- This seal require plate retainer for installation.

### ■Rotation speed

Less than 16m/s

Address term	Mein dimension (mm)		
	Shaft diameter (φd)	Outer diameter (φD)	width (B)
SWS - 35 × 50 × 8	35	50	8
SWS - 40 × 58 × 9	40	58	9
SWS - 52 × 82 × 15	52	82	15
SWS - 55 × 78 × 12	55	78	12
SWS - 60 × 82 × 12	60	82	12
SWS - 85 × 110 × 13	85	110	13
SWS - 85 × 115 × 13	85	115	13
SWS - 90 × 115 × 13	90	115	13
SWS - 100 × 125 × 13	100	125	13
SWS - 100 × 130 × 14	100	130	14
SWS - 110 × 140 × 13	110	140	13
SWS - 115 × 140 × 13	115	140	13
SWS - 115 × 145 × 14	115	145	14
SWS - 120 × 150 × 13	120	150	13
SWS - 125 × 155 × 14	125	155	14
SWS - 125 × 160 × 16	125	160	16
SWS - 130 × 160 × 14	130	160	14
SWS - 135 × 175 × 16	135	175	16
SWS - 140 × 170 × 14	140	170	14
SWS - 150 × 175 × 12.5	150	175	12.5
SWS - 150 × 180 × 14	150	180	14
SWS - 150 × 185 × 18	150	185	18
SWS - 155 × 200 × 20	155	200	20
SWS - 160 × 185 × 12.5	160	185	12.5
SWS - 160 × 190 × 15	160	190	15
SWS - 165 × 190 × 10	165	190	10
SWS - 170 × 200 × 16	170	200	16
SWS - 180 × 235 × 20	180	235	20
SWS - 190 × 220 × 12	190	220	12
SWS - 190 × 220 × 13	190	220	13
SWS - 190 × 225 × 18	190	225	18
SWS - 195 × 230 × 12.5	195	230	12.5
SWS - 198 × 243 × 15	198	243	15
SWS - 200 × 230 × 16	200	230	16
SWS - 200 × 240 × 17	200	240	17
SWS - 200 × 240 × 20	200	240	20
SWS - 210 × 260 × 23	210	260	23
SWS - 220 × 250 × 15	220	250	15
SWS - 220 × 255 × 16	220	255	16
SWS - 220 × 260 × 22	220	260	22
SWS - 220 × 264 × 15	220	264	15
SWS - 222.2 × 260.3 × 20	222.2	260.3	20
SWS - 230 × 255 × 11	230	255	11
SWS - 230 × 260 × 14	230	260	14
SWS - 230 × 260 × 20	230	260	20

Address term	Mein dimension (mm)		
	Shaft diameter (φd)	Outer diameter (φD)	width (B)
SWS - 230 × 270 × 16	230	270	16
SWS - 235 × 273 × 18	235	273	18
SWS - 240 × 270 × 15	240	270	15
SWS - 240 × 280 × 20	240	280	20
SWS - 250 × 280 × 15	250	280	15
SWS - 250 × 285 × 16	250	285	16
SWS - 255 × 300 × 17	255	300	17
SWS - 260 × 300 × 25	260	300	25
SWS - 270 × 310 × 26	270	310	26
SWS - 270 × 320 × 25	270	320	25
SWS - 280 × 320 × 16	280	320	16
SWS - 280 × 320 × 20	280	320	20
SWS - 280 × 340 × 20	280	340	20
SWS - 300 × 340 × 20	300	340	20
SWS - 300 × 345 × 20	300	345	20
SWS - 320 × 360 × 23	320	360	23
SWS - 320 × 380 × 20	320	380	20
SWS - 324 × 362 × 17.5	324	362	17.5
SWS - 343 × 381 × 17.5	343	381	17.5
SWS - 350 × 390 × 20	350	390	20
SWS - 360 × 410 × 23	360	410	23
SWS - 360 × 420 × 25	360	420	25
SWS - 375 × 420 × 16	375	420	16
SWS - 380 × 440 × 23	380	440	23
SWS - 400 × 450 × 25	400	450	25
SWS - 410 × 460 × 25	410	460	25
SWS - 430 × 470 × 25	430	470	25
SWS - 430 × 480 × 25	430	480	25
SWS - 460 × 500 × 20	460	500	20
SWS - 460 × 510 × 20	460	510	20
SWS - 470 × 520 × 22	470	520	22
SWS - 470 × 530 × 23	470	530	23
SWS - 480 × 520 × 20	480	520	20
SWS - 500 × 560 × 25	500	560	25
SWS - 510 × 560 × 25	510	560	25
SWS - 530 × 590 × 25	530	590	25
SWS - 570 × 610 × 20	570	610	20
SWS - 600 × 650 × 25	600	650	25
SWS - 600 × 670 × 30	600	670	30
SWS - 630 × 680 × 25	630	680	25
SWS - 710 × 760 × 25	710	760	25
SWS - 710 × 770 × 21	710	770	21
※ SWS - 800 × 850 × 23	800	850	23
SWS - 860 × 920 × 25	860	920	25
SWS - 950 × 1000 × 23	950	1000	23

※NOTICE... Seal with some projections on the back side as a spacer is available.