

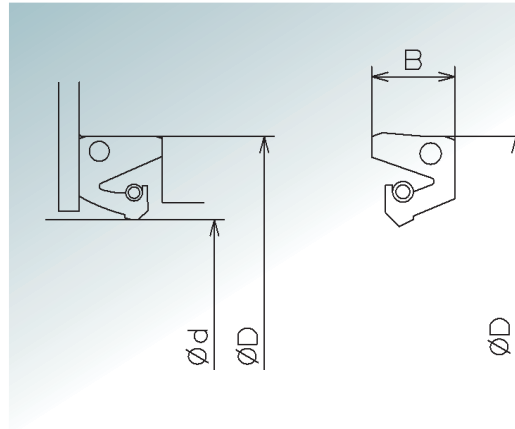
■ Use... "Use" part is explaining about sealing object and installation precautions.

■ Rotation speed... This part is explaining about seal's applicable rotation speed based on our usage record.

※ Please contact our Seals Department for higher rotation use.

SWA type

※ L type available.



■ Use

- Grease and oil seal.
- This seal requires plate retainers for installation.

■ Rotation speed

Less than 16m/s

※ This seal is usable at 0.2MPa condition under 1m/s rotation speed.

| Address term | Main dimension (mm) | | |
|------------------------|---------------------|---------------------|-----------|
| | Shaft diameter (φd) | Outer diameter (φD) | width (B) |
| SWA - 65 × 88 × 12 | 65 | 88 | 12 |
| SWA - 80 × 110 × 12 | 80 | 110 | 12 |
| SWA - 87 × 112 × 13 | 87 | 112 | 13 |
| SWA - 100 × 125 × 13 | 100 | 125 | 13 |
| ※ SWA - 115 × 140 × 12 | 115 | 140 | 12 |
| SWA - 130 × 150 × 11 | 130 | 150 | 11 |
| SWA - 260 × 320 × 25 | 260 | 320 | 25 |
| SWA - 270 × 300 × 14 | 270 | 300 | 14 |
| SWA - 310 × 348 × 15 | 310 | 348 | 15 |
| SWA - 310 × 370 × 25 | 310 | 370 | 25 |
| SWA - 325 × 375 × 25 | 325 | 375 | 25 |
| SWA - 340 × 400 × 25 | 340 | 400 | 25 |

| Address term | Main dimension (mm) | | |
|--------------------------|---------------------|---------------------|-----------|
| | Shaft diameter (φd) | Outer diameter (φD) | width (B) |
| SWA - 375 × 415 × 15 | 375 | 415 | 15 |
| SWA - 393.1 × 431 × 19 | 393.1 | 431 | 19 |
| SWA - 395 × 430 × 18 | 395 | 430 | 18 |
| SWA - 406.4 × 444.5 × 19 | 406.4 | 444.5 | 19 |
| SWA - 440 × 500 × 25 | 440 | 500 | 25 |
| SWA - 500 × 560 × 25 | 500 | 560 | 25 |
| SWA - 540 × 580 × 20 | 540 | 580 | 20 |
| SWA - 546.1 × 596.9 × 16 | 546.1 | 596.9 | 16 |
| SWA - 546.1 × 596.9 × 21 | 546.1 | 596.9 | 21 |
| SWA - 570 × 630 × 25 | 570 | 630 | 25 |
| SWA - 710 × 760 × 23 | 710 | 760 | 23 |
| SWA - 1000 × 1060 × 25 | 1000 | 1060 | 25 |

※ NOTICE... Seal with some projections on the back side as a spacer is available.