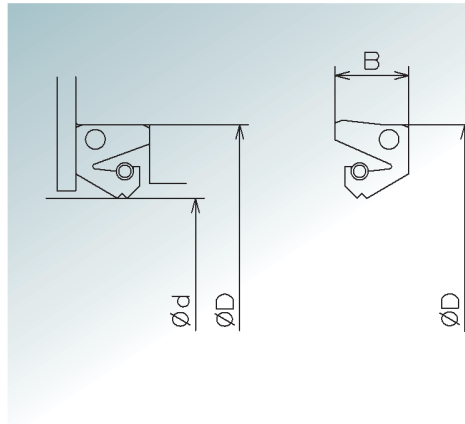


■ Use... “Use” part is explaining about sealing object and installation precautions.

■ Rotation speed... This part is explaining about seal’s applicable rotation speed based on our usage record.

※ Please contact our Seals Department for higher rotation use.

SW type



■ Use

- Grease and oil seal.
- This seal is not available for eccentric shaft.
- This seal require plate retainer for installation.

■ This seals is available as open ended ring type
We recommend use of glue for this seal.

■ Rotation speed

Less than 8m/s (Endless type)

Less than 5m/s (Open ended ring type)

Address term	Mein dimension (mm)		
	Shaft diameter (∅d)	Outer diameter (∅D)	width (B)
SW - 45 × 68 × 12	45	68	12
SW - 50 × 72 × 12	50	72	12
SW - 60 × 82 × 12	60	82	12
SW - 65 × 85 × 12	65	85	12
SW - 75 × 100 × 13	75	100	13
SW - 80 × 105 × 13	80	105	13
SW - 80 × 110 × 16	80	110	16
SW - 85 × 110 × 13	85	110	13
SW - 90 × 110 × 10	90	110	10
SW - 90 × 115 × 13	90	115	13
SW - 90 × 120 × 16	90	120	16
SW - 95 × 120 × 13	95	120	13
SW - 100 × 120 × 10	100	120	10
SW - 100 × 125 × 12.5	100	125	12.5
SW - 105 × 135 × 14	105	135	14
SW - 105 × 140 × 13	105	140	13
SW - 110 × 130 × 10	110	130	10
SW - 110 × 140 × 13	110	140	13
SW - 110 × 145 × 18	110	145	18
SW - 115 × 140 × 12.5	115	140	12.5
SW - 115 × 145 × 12.5	115	145	12.5
SW - 120 × 150 × 14	120	150	14
SW - 125 × 155 × 14	125	155	14
SW - 130 × 150 × 13	130	150	13
SW - 130 × 155 × 12.5	130	155	12.5
SW - 130 × 160 × 14	130	160	14
SW - 130 × 165 × 18	130	165	18
SW - 135 × 151 × 8	135	151	8
SW - 135 × 155 × 10	135	155	10
SW - 135 × 160 × 12.5	135	160	12.5
SW - 135 × 165 × 14	135	165	14
SW - 135 × 170 × 18	135	170	18
SW - 140 × 175 × 18	140	175	18
SW - 145 × 175 × 14	145	175	14
SW - 145 × 180 × 18	145	180	18
SW - 150 × 166 × 8	150	166	8
SW - 150 × 168 × 9	150	168	9
SW - 150 × 175 × 12.5	150	175	12.5
SW - 150 × 180 × 12.5	150	180	12.5
SW - 150 × 185 × 18	150	185	18
SW - 155 × 180 × 12.5	155	180	12.5
SW - 160 × 190 × 15	160	190	15
SW - 160 × 195 × 18	160	195	18
SW - 165 × 185 × 10	165	185	10
SW - 170 × 186 × 8	170	186	8
SW - 170 × 195 × 10	170	195	10

Address term	Mein dimension (mm)		
	Shaft diameter (∅d)	Outer diameter (∅D)	width (B)
SW - 170 × 195 × 12.5	170	195	12.5
SW - 170 × 200 × 17	170	200	17
SW - 175 × 200 × 12.5	175	200	12.5
SW - 180 × 196 × 8	180	196	8
SW - 180 × 205 × 10	180	205	10
SW - 180 × 205 × 12.5	180	205	12.5
SW - 180 × 210 × 15	180	210	15
SW - 185 × 210 × 10	185	210	10
SW - 185 × 210 × 12.5	185	210	12.5
SW - 190 × 215 × 10	190	215	10
SW - 190 × 215 × 12.5	190	215	12.5
SW - 190 × 220 × 12	190	220	12
SW - 190 × 223 × 19	190	223	19
SW - 190 × 225 × 16	190	225	16
SW - 190 × 230 × 20	190	230	20
SW - 195 × 220 × 12.5	195	220	12.5
SW - 200 × 225 × 12.5	200	225	12.5
SW - 200 × 233 × 19	200	233	19
SW - 200 × 235 × 18	200	235	18
SW - 200 × 240 × 20	200	240	20
SW - 200 × 255 × 22	200	255	22
SW - 210 × 235 × 10	210	235	10
SW - 210 × 235 × 12.5	210	235	12.5
SW - 210 × 240 × 13	210	240	13
SW - 210 × 250 × 15	210	250	15
SW - 210 × 265 × 25	210	265	25
SW - 215 × 240 × 10	215	240	10
SW - 215 × 240 × 12.5	215	240	12.5
SW - 215 × 254 × 22	215	254	NOTICE 21.5
SW - 220 × 250 × 15	220	250	15
SW - 220 × 253 × 19	220	253	19
SW - 220 × 255 × 18	220	255	18
SW - 220 × 260 × 20	220	260	20
SW - 225 × 250 × 10	225	250	10
SW - 225 × 264 × 22	225	264	NOTICE 21.5
SW - 230 × 269 × 22	230	269	NOTICE 21.5
SW - 230 × 270 × 16	230	270	16
SW - 232.5 × 270.7 × 19	232.5	270.7	19
SW - 235 × 257 × 9	235	257	9
SW - 240 × 270 × 13	240	270	13
SW - 240 × 273 × 19	240	273	19
SW - 240 × 275 × 13	240	275	13
SW - 240 × 275 × 18	240	275	18
SW - 240 × 280 × 19	240	280	19
SW - 250 × 275 × 12.5	250	275	12.5
SW - 250 × 285 × 16	250	285	16

SW type

Address term	Main dimension (mm)		
	Shaft diameter (ϕd)	Outer diameter (ϕD)	width (B)
SW - 260 × 293 × 19	260	293	19
SW - 260 × 300 × 20	260	300	20
SW - 260 × 305 × 22	260	305	22
SW - 266 × 308 × 26	266	308	26
SW - 270 × 312 × 20	270	312	20
SW - 270 × 312 × 26	270	312	26
SW - 270 × 320 × 24	270	320	24
SW - 270 × 330 × 25	270	330	25
SW - 280 × 312 × 19	280	312	19
SW - 280 × 320 × 20	280	320	20
SW - 280 × 340 × 28	280	340	28
SW - 290 × 325 × 16	290	325	16
SW - 298.45 × 349.2 × 25.4	298.45	349.2	25.4
SW - 298.45 × 350 × 20	298.45	350	20
SW - 300 × 325 × 12.5	300	325	12.5
SW - 300 × 332 × 19	300	332	19
SW - 300 × 340 × 20	300	340	20
SW - 300 × 345 × 22	300	345	22
SW - 300 × 360 × 25	300	360	25
SW - 310 × 350 × 20	310	350	20
SW - 320 × 352 × 19	320	352	19
SW - 320 × 360 × 20	320	360	20
SW - 330 × 370 × 20	330	370	20
SW - 330 × 380 × 25	330	380	25
SW - 340 × 380 × 20	340	380	20
SW - 350 × 390 × 20	350	390	20
SW - 360 × 400 × 17	360	400	17
SW - 360 × 420 × 25	360	420	25
SW - 370 × 410 × 20	370	410	20
SW - 370 × 420 × 25	370	420	25
SW - 375 × 410 × 16	375	410	16
SW - 375 × 420 × 18	375	420	18
SW - 380 × 420 × 20	380	420	20
SW - 380 × 430 × 20	380	430	20
SW - 380 × 440 × 25	380	440	25
SW - 390 × 430 × 20	390	430	20
SW - 390 × 450 × 25	390	450	25
SW - 400 × 440 × 20	400	440	20
SW - 400 × 450 × 25	400	450	25
SW - 410 × 450 × 20	410	450	20
SW - 420 × 450 × 13	420	450	13
SW - 420 × 480 × 25	420	480	25

Address term	Main dimension (mm)		
	Shaft diameter (ϕd)	Outer diameter (ϕD)	width (B)
SW - 430 × 470 × 20	430	470	20
SW - 430 × 480 × 25	430	480	25
SW - 450 × 480 × 17.5	450	480	17.5
SW - 450 × 490 × 20	450	490	20
SW - 450 × 500 × 25	450	500	25
SW - 450 × 510 × 25	450	510	25
SW - 460 × 510 × 25	460	510	25
SW - 480 × 520 × 20	480	520	20
SW - 495 × 540 × 25	495	540	25
SW - 500 × 560 × 25	500	560	25
SW - 520 × 550 × 13	520	550	13
SW - 520 × 570 × 24	520	570	24
SW - 530 × 570 × 16	530	570	16
SW - 550 × 600 × 30	550	600	30
SW - 560 × 610 × 30	560	610	30
SW - 570 × 630 × 30	570	630	30
SW - 580 × 640 × 28	580	640	28
SW - 590 × 630 × 20	590	630	20
SW - 600 × 650 × 30	600	650	30
SW - 600 × 670 × 30	600	670	30
SW - 610 × 660 × 30	610	660	30
SW - 650 × 710 × 28	650	710	28
SW - 665 × 695 × 14	665	695	14
SW - 670 × 720 × 25	670	720	25
SW - 680 × 740 × 30	680	740	30
SW - 700 × 750 × 20	700	750	20
SW - 700 × 770 × 30	700	770	30
SW - 710 × 760 × 30	710	760	30
SW - 740 × 800 × 25	740	800	25
SW - 750 × 780 × 17	750	780	17
SW - 780 × 830 × 25	780	830	25
SW - 800 × 860 × 30	800	860	30
SW - 830 × 900 × 30	830	900	30
SW - 870 × 930 × 30	870	930	30
SW - 870 × 940 × 30	870	940	30
SW - 930 × 1000 × 30	930	1000	30
SW - 960 × 1020 × 25	960	1020	25
SW - 1020 × 1070 × 25	1020	1070	25
SW - 1070 × 1140 × 25	1070	1140	25
SW - 1100 × 1170 × 30	1100	1170	30
SW - 1140 × 1210 × 25	1140	1210	25

NOTICE...Address term and width dimension is different.