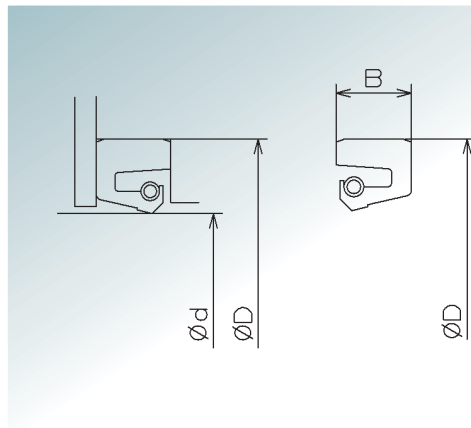


■ Use... “Use” part is explaining about sealing object and installation precautions.

■ Rotation speed... This part is explaining about seal’s applicable rotation speed based on our usage record.

※ Please contact our Seals Department for higher rotation use.

KOtype ※ L type available.



■ Use

- Grease and oil seal.
- Applicable shaft eccentricity : ±0.5mm
- This seal require plate retainer for installation.

■ This seals is available as open ended ring type
We recommend use of glue for this seal.

■ Rotation speed

Less than 6m/s

(Open ended ring type /Endless type)

Address term	Mein dimension (mm)		
	Shaft diameter (φd)	Outer diameter (φD)	width (B)
KO - 30 × 50 × 11	30	50	11
KO - 32 × 52 × 11	32	52	11
KO - 35 × 50 × 8	35	50	8
KO - 55 × 78 × 12	55	78	12
KO - 65 × 88 × 12	65	88	12
KO - 95 × 120 × 13	95	120	13
KO - 105 × 140 × 13	105	140	13
KO - 155 × 180 × 13	155	180	13
KO - 180 × 205 × 15	180	205	15
KO - 200 × 240 × 20	200	240	20
※ KO - 210 × 246 × 19	210	246	19
KO - 210 × 249 × 22	210	249	22
KO - 216 × 248 × 19	216	248	19
KO - 220 × 260 × 20	220	260	20
KO - 230 × 260 × 20	230	260	20
KO - 230 × 269 × 22	230	269	22

Address term	Mein dimension (mm)		
	Shaft diameter (φd)	Outer diameter (φD)	width (B)
KO - 240 × 280 × 20	240	280	20
KO - 250 × 290 × 20	250	290	20
KO - 255 × 300 × 24	255	300	24
KO - 260 × 305 × 20	260	305	20
KO - 270 × 320 × 24	270	320	24
KO - 280 × 325 × 22	280	325	22
KO - 290 × 330 × 20	290	330	20
KO - 290 × 335 × 24	290	335	24
KO - 300 × 345 × 22	300	345	22
KO - 320 × 370 × 25	320	370	25
KO - 320 × 380 × 20	320	380	20
KO - 330 × 380 × 22	330	380	22
KO - 350 × 400 × 25	350	400	25
KO - 690 × 750 × 30	690	750	30
KO - 900 × 950 × 20.5	900	950	20.5

※NOTICE...Seal with some projections on the back side as a spacer is available.