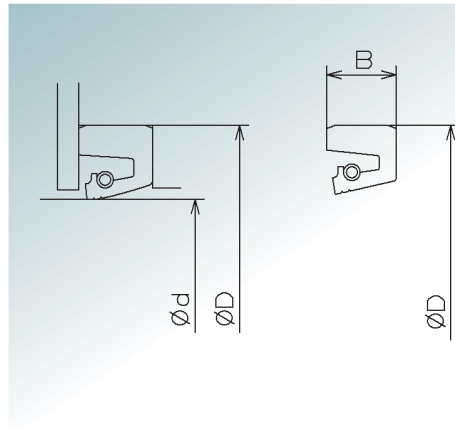


■ Use... "Use" part is explaining about sealing object and installation precautions.

■ Rotation speed... This part is explaining about seal's applicable rotation speed based on our usage record.

※ Please contact our Seals Department for higher rotation use.

» KD type



■ Use

- Dust and splash water seal.
- Applicable shaft eccentricity : ±0.5mm
- This seal require plate retainer for installation.
- This seal is not available under pressure.

■ Open ended ring type is available

We recommend use of glue for this seal.

■ Rotation speed

Less than 6m/s

(Endledd ring type/Open ended ring type)

Address term	Mein dimension (mm)		
	Shaft diameter (φd)	Outer diameter (φD)	width (B)
KD - 110 × 145 × 18	110	145	18
KD - 125 × 150 × 12.5	125	150	12.5
KD - 135 × 160 × 12.5	135	160	12.5
KD - 155 × 180 × 12.5	155	180	12.5
KD - 165 × 185 × 12	165	185	12
KD - 190 × 215 × 15	190	215	15
KD - 220 × 260 × 20	220	260	20

Address term	Mein dimension (mm)		
	Shaft diameter (φd)	Outer diameter (φD)	width (B)
KD - 240 × 280 × 19	240	280	19
KD - 270 × 320 × 20	270	320	20
KD - 300 × 345 × 22	300	345	22
KD - 310 × 350 × 20	310	350	20
KD - 320 × 360 × 20	320	360	20
KD - 340 × 380 × 20	340	380	20