



# HEXA<sup>®</sup> PLUG

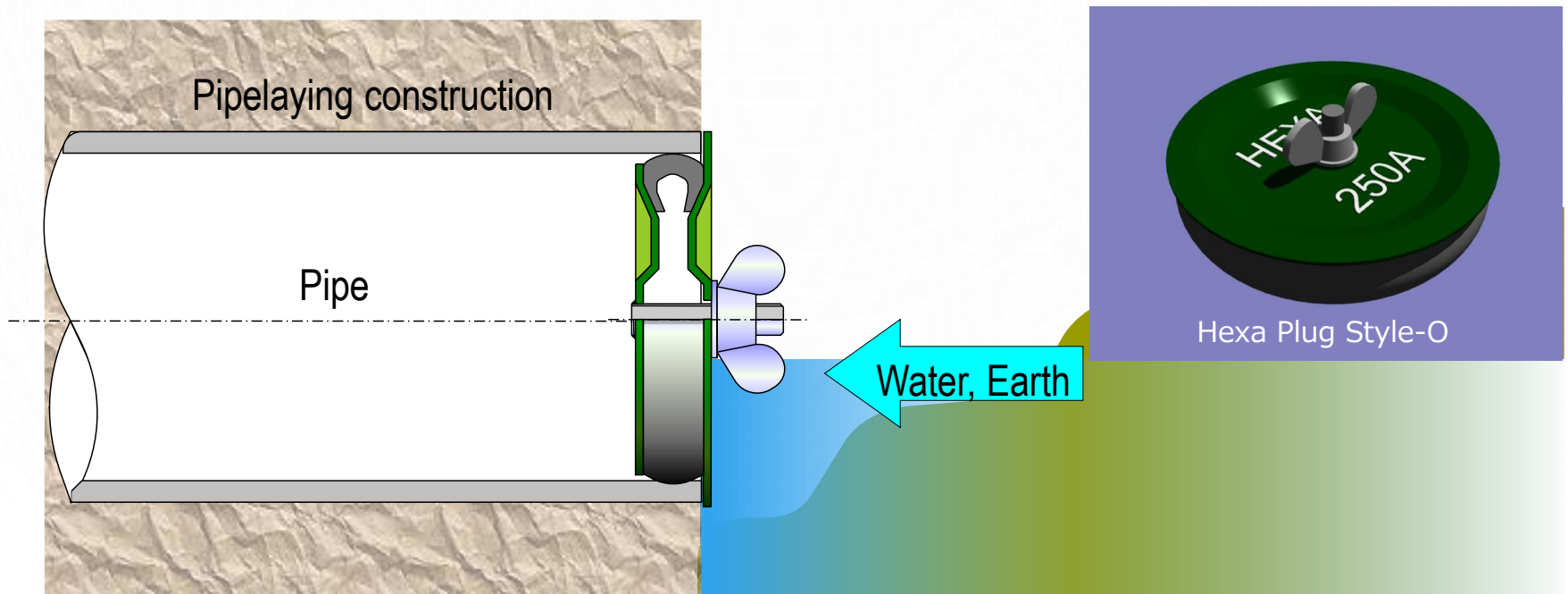


MITSUBISHI RUBBER<sup>®</sup>



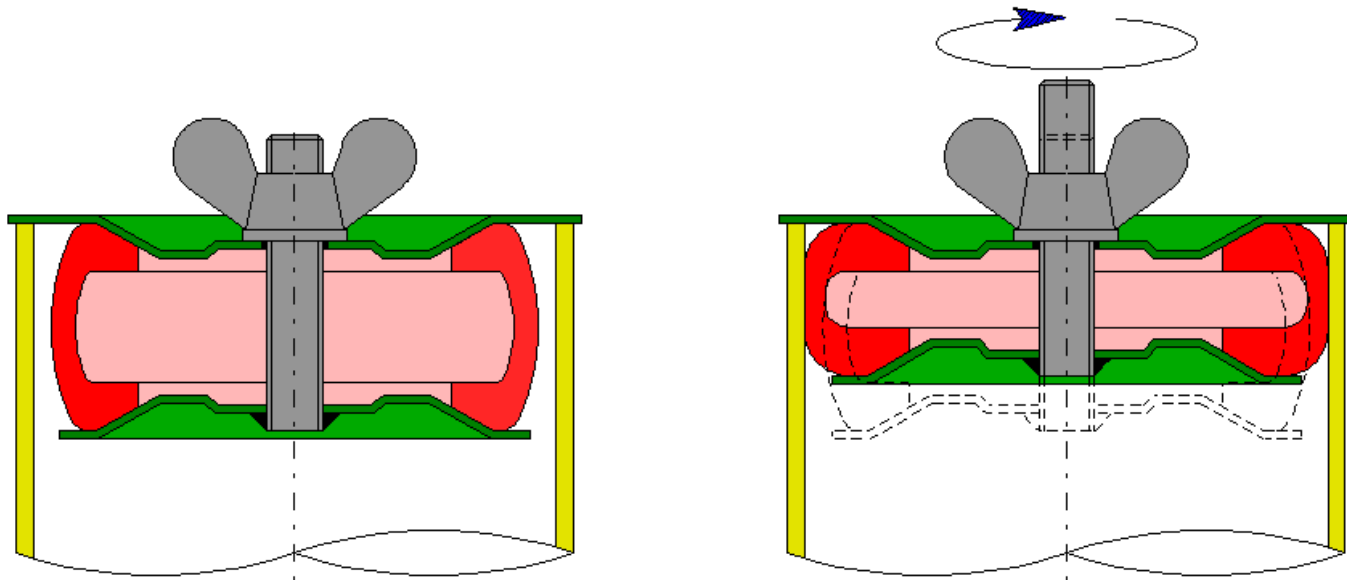
# WHAT IS HEXA PLUG?

- 1) Word of HEXA means six in Greek letter, which is a registered trade mark of Mutsubishi Rubber Co., Ltd. in Japan.
- 2) The HEXA PLUG is used to shut open end of pipes during pipe works for preventing contaminate of foreign materials into pipe, such as liquids, gases and solid objects. It can apply for various fields.

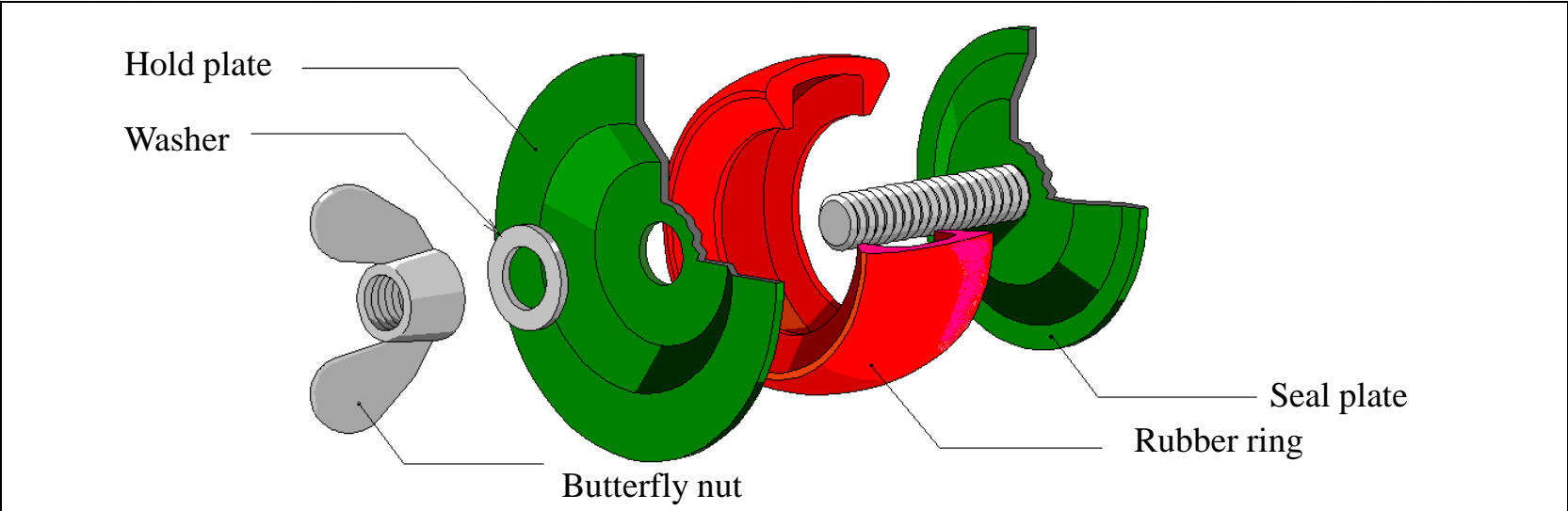


# CHARACTERISTICS OF HEXA PLUG

- 1) A “C” shaped cross sectional rubber ring is pinched in-between two steel disks which flared toward edges helping extension of rubber ring efficiently for shut the end of pipe.
- 2) Only hand tight a butterfly nut makes air tight of pipe easily, and last long without special tools. Simple structure helps light in weight, easy installation ,quick on/off at the pipe end, which reducing man-power of temporally closing of pipe end.



# STRUCTURE OF HEXA PLUG

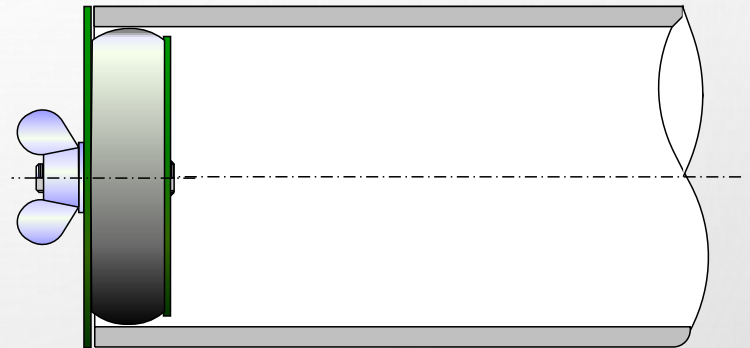


Standard lineup; 50A ~ 1000A (2 ~ 40 inch)



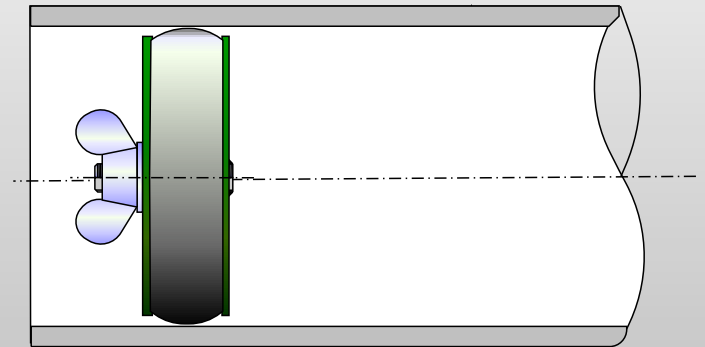
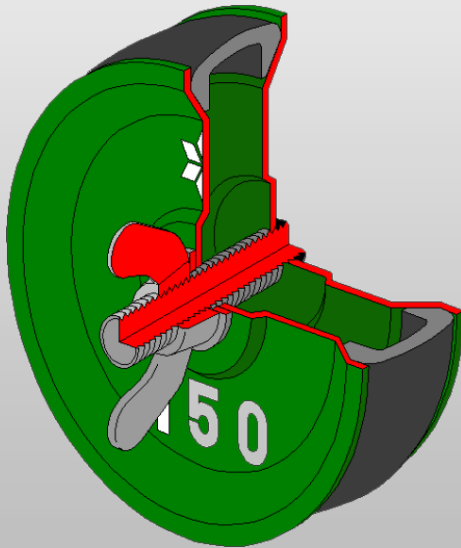
# Style-0

- The type to install in the edge ( the outside ) of the pipe



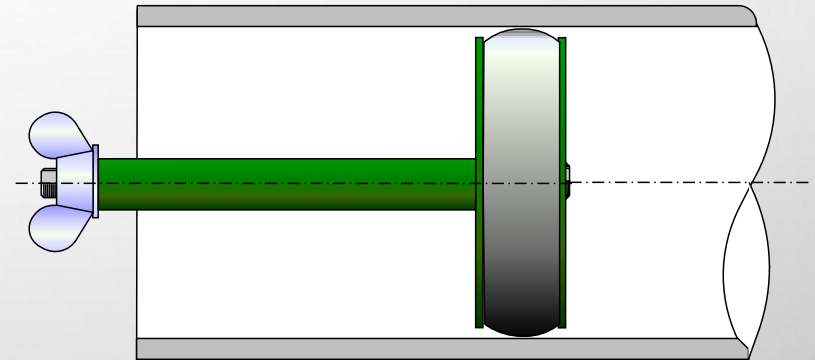
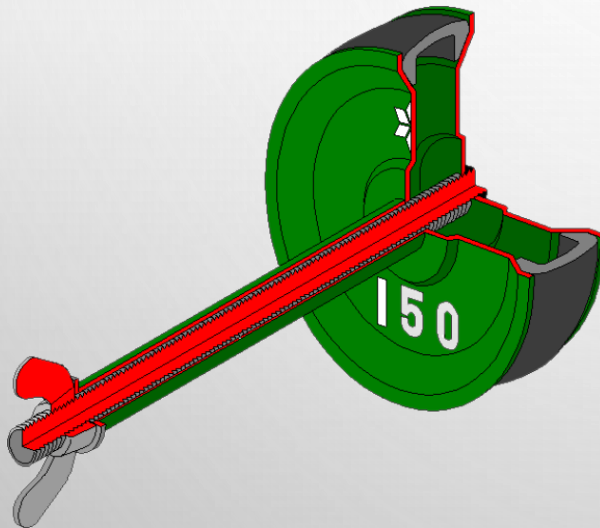
## Style-I

- The type to install inside of the pipe



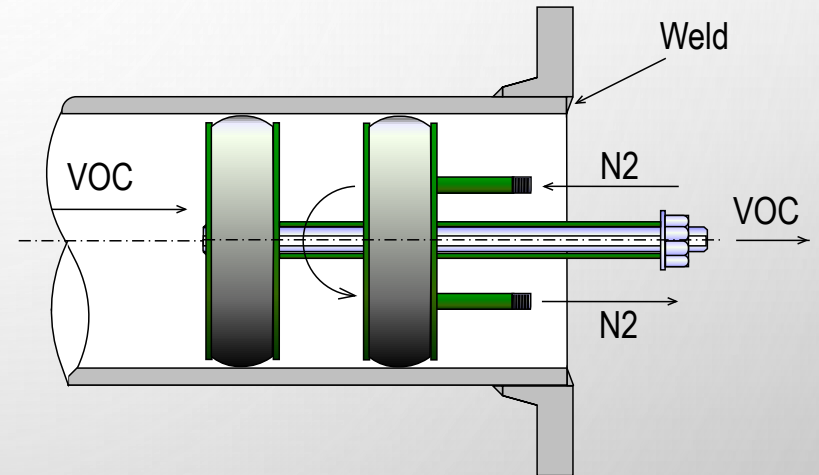
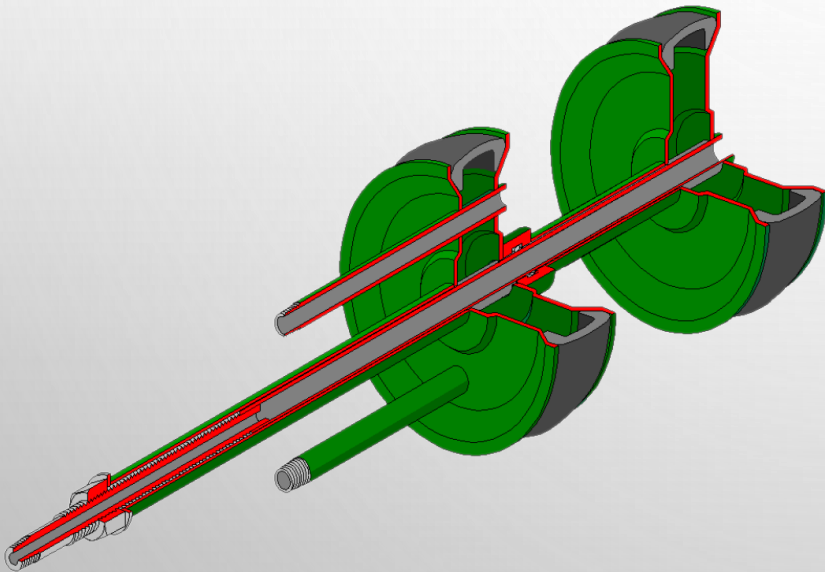
## Style-IC

- The type to install deep inside the pipe



# Style-G

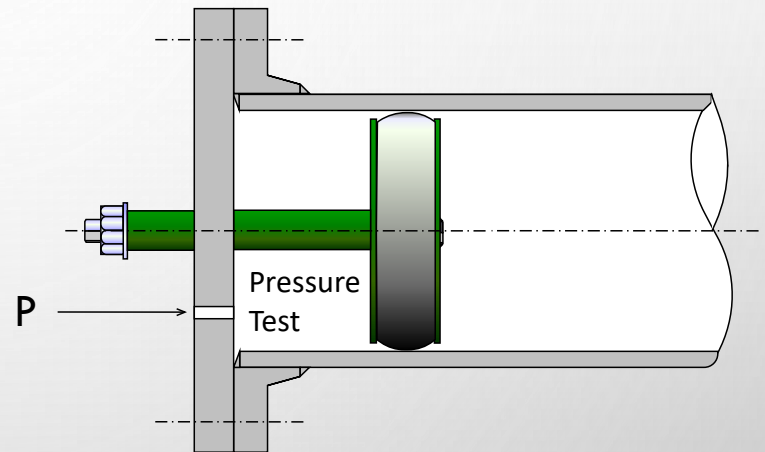
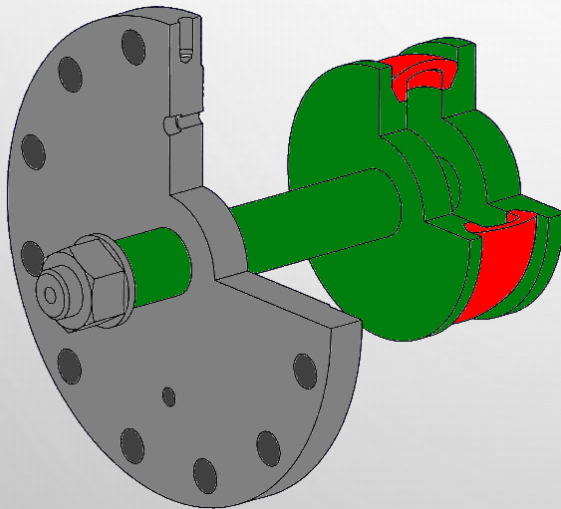
- Used for the flange welding, for safety.





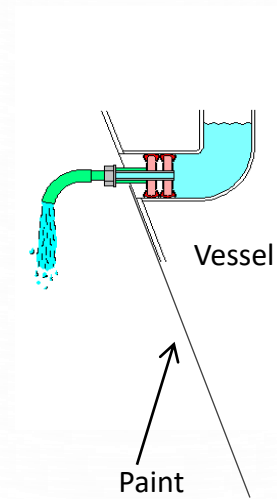
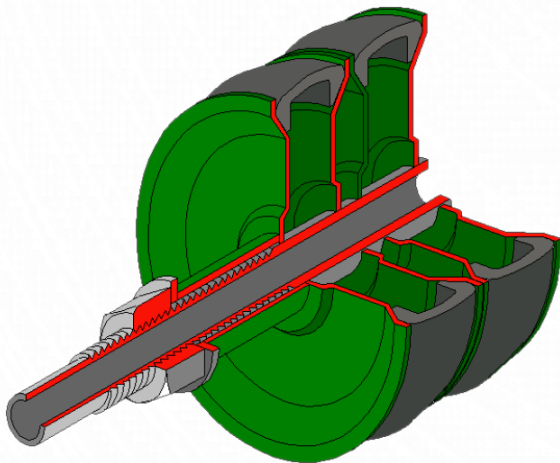
## Style-F

- Used for pressure test at the welded part of flange.



## Style-D

- Used for a drain from the scupper of the vessel.  
(For paint curing)

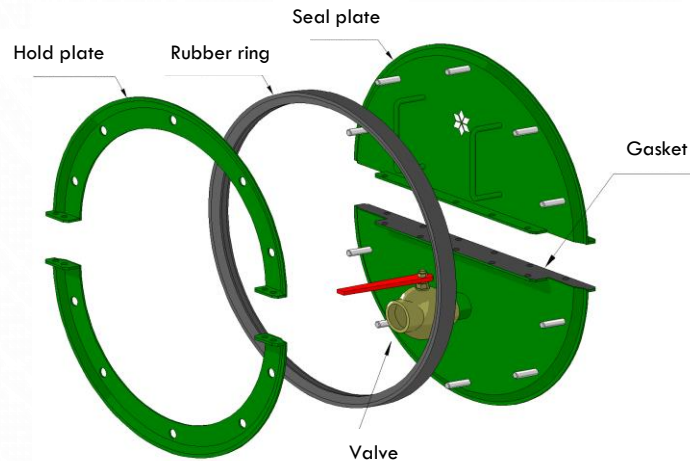


## Style-WSV

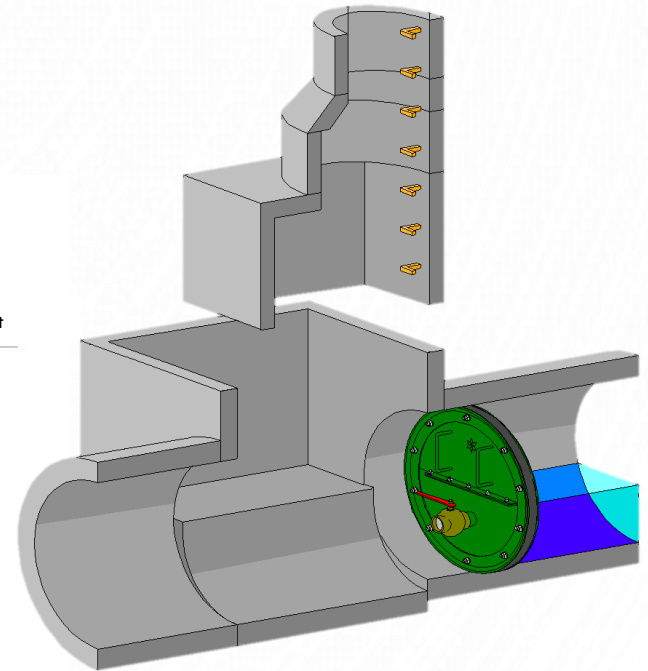
- Used for sewerage works.



Hexa plug with valve

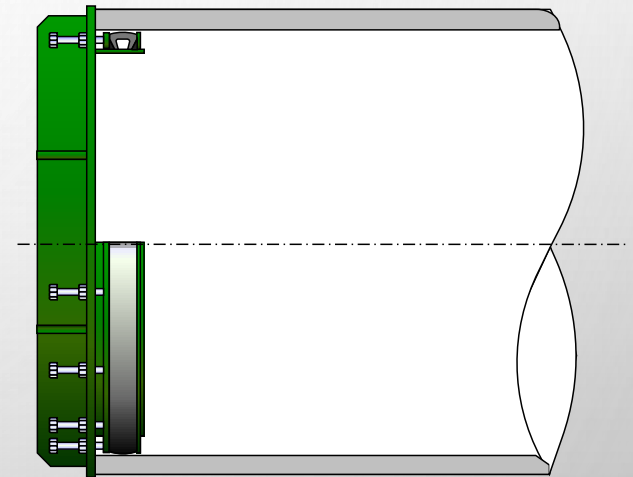
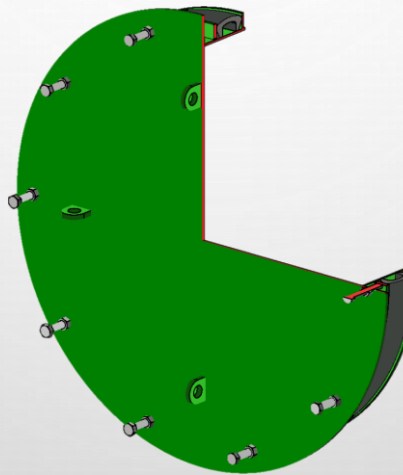


Assembling type



## Style-OS

- Used for large diameter pipe & earth pressure-resistant .



## Style-W

- Used for the hydraulic test.
- Performance : 0.5MPa (Up to 200A)

