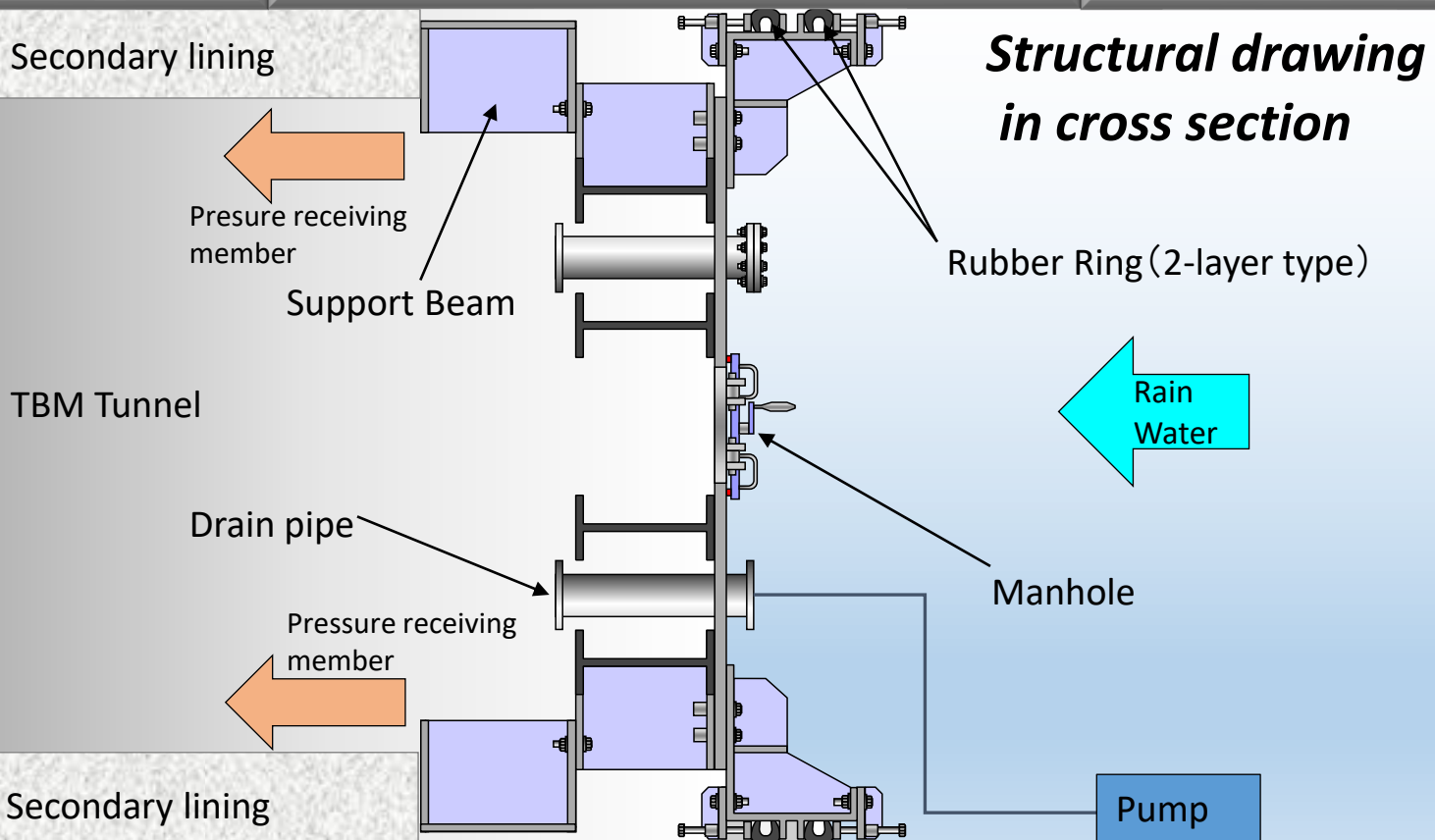


# Hexa Gate Plug

~Main Use~

Specific condition in TBM tunnel such as;

- ① Preliminary storage of Rain water pipeline
- ② Safety measure for construction of branch pipeline connecting
- ③ Measure to prevent reverse flow caused by heavy rain

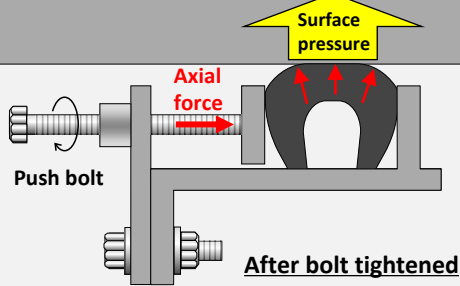


**MITSUBISHI RUBBER CO., LTD.**

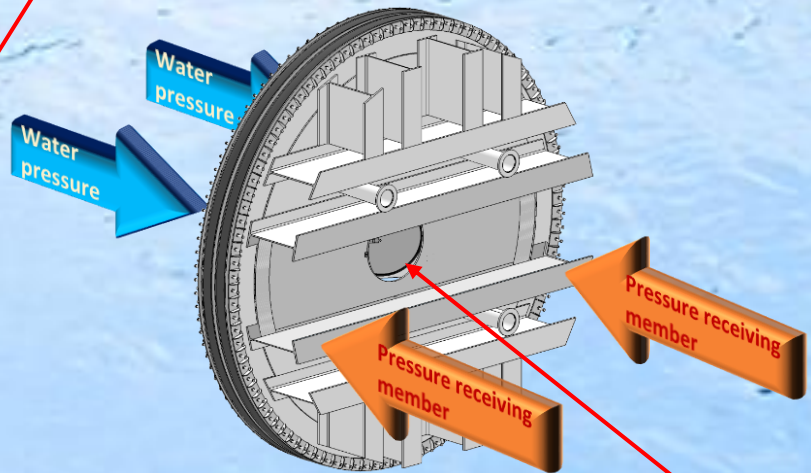
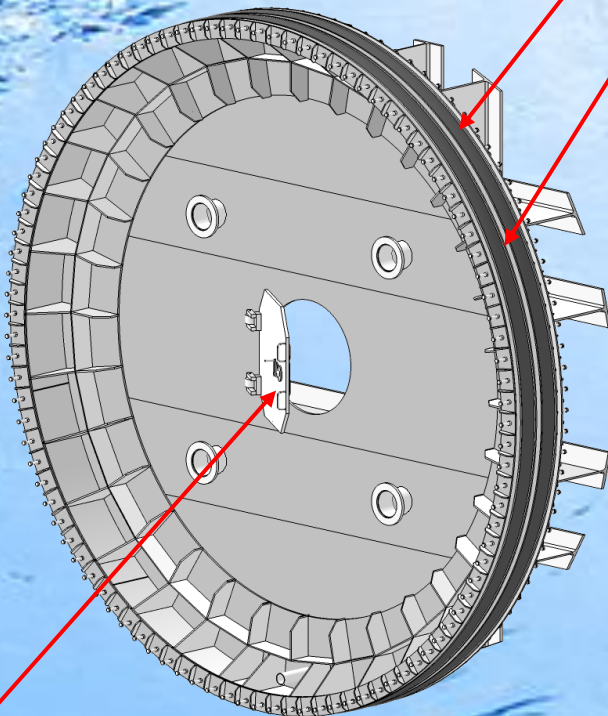
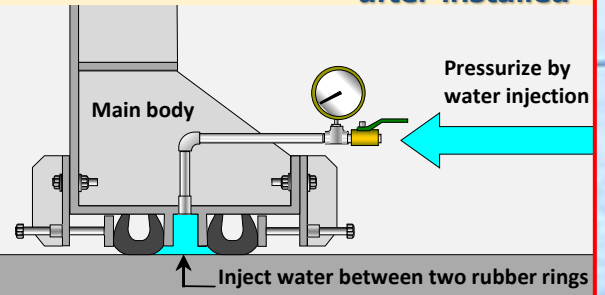


# Characteristics

## ① Mechanism to boost up sealing performance

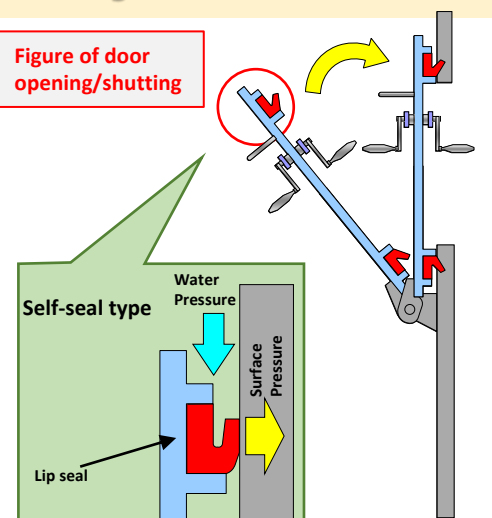


## ② Possible to confirm sealing performance after installed



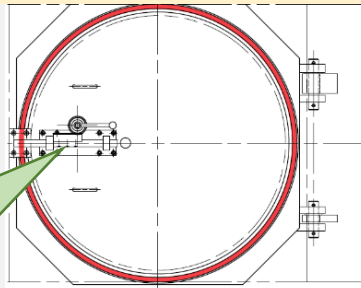
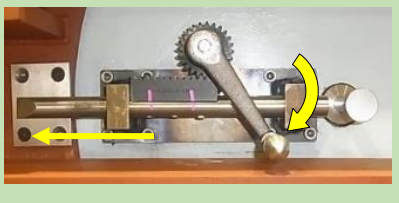
## ④ Sealing mechanism of manhole

### Figure of door opening/shutting



## ③ Mechanism of manhole to open and shut easily

### Style of pin inserting by handle operation



## Basic spec

Pressure resistance : Design pressure 0.3MPa  
 Corresponding ID : Segment ID  $\phi 2,000$  mm ~  
 Rubber Material : C R (chloroprene rubber)  
 Method of fixation : Supported by secondary lining etc.  
 (The Plug itself has no pressure resistance)  
 \*Divided product assembled at site



**MITSUBISHI RUBBER CO., LTD.**

• Head Office 2-1-31, Doujima, Kita-ku, Osaka 5300001  
 • Headquarter & Plant 2-3-5, Mitsugaoka, Nishi-ku, Kobe 6512228  
 • Tokyo Branch 1-8-7, Roppongi, Minato-ku, Tokyo 1060032  
 • Fukuoka Branch 2-1, Nakahara shinmachi, Tobata-ku, Kitakyushu 8040003  
 • Nagoya Branch 2-20-25, Marunouchi, Naka-ku, Nagoya 460-0002  
 • Oita Office 6-15, Harashinmachi, Oita 8700913  
 • Kisarazu Office 3-4-3, Yamato, Kisarazu-City, Chiba 2920805  
 • Kobe Office 9-1-30, Wakamatsu-cho, Nagata-ku, Kobe 6530038

TEL. +81-6-6344-3555 FAX. +81-6-6344-5660  
 TEL. +81-78-995-3331 FAX. +81-78-995-3332  
 TEL. +81-3-5114-8551 FAX. +81-3-5114-8552  
 TEL. +81-93-873-5606 FAX. +81-93-873-5606  
 TEL. +81-52-223-0202 FAX. +81-52-223-8256  
 TEL. +81-97-556-5615 FAX. +81-97-556-5711  
 TEL. +81-438-20-1600 FAX. +81-438-97-7336  
 TEL. +81-78-641-5681 FAX. +81-78-641-5033