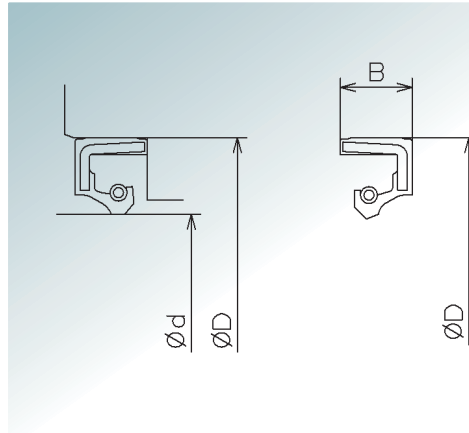


■ Use... “Use” part is explaining about sealing object and installation precautions.

■ Rotation speed... This part is explaining about seal’s applicable rotation speed based on our usage record.

※ Please contact our Seals Department for higher rotation use.

» DYS type



■ Use

- Grease, oil and oil air seal.
- Sustainable back side pressure of seal lip : 0.01~0.02MPa (20NL/min air)
- This seal is mainly used at Oil-air type shaft bearing at continuous cast.

■ Rotation speed

Less than 16m/s

Address term	Main dimension (mm)		
	Shaft diameter (φd)	Outer diameter (φD)	width (B)
DYS - 70 × 92 × 12	70	92	12
DYS - 85 × 103 × 10	85	103	10
DYS - 95 × 120 × 10	95	120	10
DYS - 115 × 145 × 14	115	145	14
DYS - 120 × 150 × 14	120	150	14
DYS - 130 × 160 × 12	130	160	12
DYS - 130 × 160 × 13	130	160	13
DYS - 135 × 165 × 13	135	165	13
DYS - 140 × 170 × 13	140	170	13
DYS - 150 × 180 × 12	150	180	12
DYS - 160 × 190 × 15	160	190	15
DYS - 170 × 195 × 10	170	195	10
DYS - 170 × 200 × 15	170	200	15
DYS - 180 × 210 × 14	180	210	14
DYS - 180 × 210 × 15	180	210	15

Address term	Main dimension (mm)		
	Shaft diameter (φd)	Outer diameter (φD)	width (B)
DYS - 185 × 215 × 15	185	215	15
DYS - 200 × 230 × 15	200	230	15
DYS - 200 × 240 × 15	200	240	15
DYS - 210 × 240 × 13	210	240	13
DYS - 210 × 250 × 15	210	250	15
DYS - 220 × 250 × 14	220	250	14
DYS - 230 × 270 × 14	230	270	14
DYS - 240 × 280 × 19	240	280	19
DYS - 270 × 305 × 17	270	305	17
DYS - 330 × 370 × 20	330	370	20
DYS - 340 × 400 × 25	340	400	25
DYS - 370 × 415 × 12	370	415	12
DYS - 540 × 590 × 25	540	590	25
DYS - 622.3 × 673.1 × 22	622.3	673.1	22