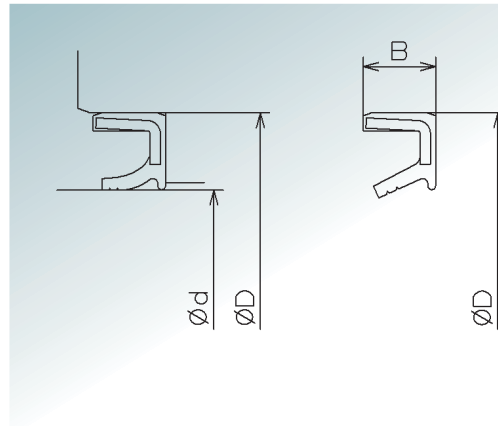


■ Use... “Use” part is explaining about sealing object and installation precautions.

■ Rotation speed... This part is explaining about seal’s applicable rotation speed based on our usage record.

※ Please contact our Seals Department for higher rotation use.

» DYP type



■ Use

- Dust and splash water seal.
- This seal has second lip for grease keeping.
- This seal is not available for eccentric shaft.

■ Rotation speed

Less than 10m/s

Address term	Main dimension (mm)		
	Shaft diameter (ϕd)	Outer diameter (ϕD)	width (B)
DYP - 40 × 63 × 9	40	63	9
DYP - 55 × 72 × 9	55	72	9
DYP - 55 × 78 × 9	55	78	9
DYP - 60 × 80 × 10	60	80	10
DYP - 75 × 90 × 10	75	90	10
DYP - 75 × 95 × 10	75	95	10
DYP - 80 × 105 × 13	80	105	13
DYP - 85 × 105 × 10	85	105	10
DYP - 85 × 110 × 13	85	110	13
DYP - 90 × 115 × 13	90	115	13
DYP - 100 × 120 × 10	100	120	10
DYP - 125 × 155 × 14	125	155	14
DYP - 130 × 160 × 14	130	160	14
DYP - 136 × 162 × 13	136	162	13
DYP - 140 × 170 × 13	140	170	13
DYP - 160 × 190 × 15	160	190	15

Address term	Main dimension (mm)		
	Shaft diameter (ϕd)	Outer diameter (ϕD)	width (B)
DYP - 170 × 200 × 13	170	200	13
DYP - 180 × 210 × 12	180	210	12
DYP - 180 × 210 × 15	180	210	15
DYP - 190 × 225 × 16	190	225	16
DYP - 200 × 230 × 15	200	230	15
DYP - 270 × 330 × 25	270	330	25
DYP - 280 × 320 × 17	280	320	17
DYP - 280 × 340 × 20	280	340	20
DYP - 300 × 360 × 25	300	360	25
DYP - 320 × 360 × 18	320	360	18
DYP - 320 × 380 × 25	320	380	25
DYP - 370 × 430 × 25	370	430	25
DYP - 515 × 565 × 22	515	565	22
DYP - 516 × 560 × 18,5	516	560	18,5
DYP - 540 × 590 × 25	540	590	25