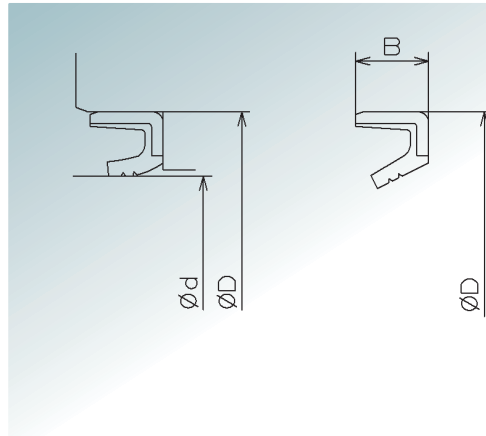


- Use... “Use” part is explaining about sealing object and installation precautions.
- Rotation speed... This part is explaining about seal’s applicable rotation speed based on our usage record.
 - ※ Please contact our Seals Department for higher rotation use.

» DYM type



■ Use

- Dust , Splash water and muddy water seal.

■ Rotation speed

Less than 10m/s

- ※ This seal is usable at 0.2MPa condition under 1m/s rotation speed.

Address term	Main dimension (mm)		
	Shaft diameter (φd)	Outer diameter (φD)	width (B)
DYM - 28 × 40 × 5	28	40	5
DYM - 31.8 × 40 × 5	31.8	40	5
DYM - 35 × 45 × 5	35	45	5
DYM - 38 × 48 × 5	38	48	5
DYM - 45 × 68 × 12	45	68	12
DYM - 48 × 62 × 6	48	62	6

Address term	Main dimension (mm)		
	Shaft diameter (φd)	Outer diameter (φD)	width (B)
DYM - 55 × 78 × 12	55	78	12
DYM - 60 × 75 × 6	60	75	6
DYM - 68 × 78 × 7	68	78	7
DYM - 77 × 95 × 10	77	95	10
DYM - 170 × 200 × 14	170	200	14
DYM - 220 × 250 × 14	220	250	14