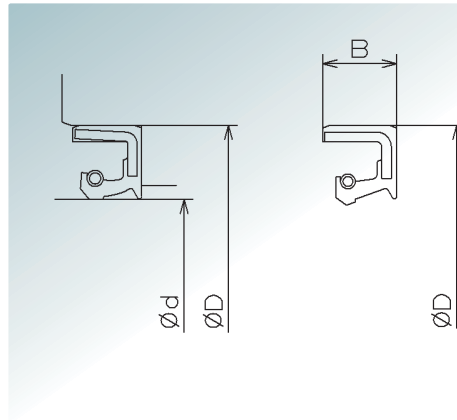


■ Use... “Use” part is explaining about sealing object and installation precautions.

■ Rotation speed... This part is explaining about seal’s applicable rotation speed based on our usage record.

※ Please contact our Seals Department for higher rotation use.

» DYAP type



■ Use

- Grease, oil and splash water seal.
- This seal has second lip for grease keeping.
- This seal is not available for eccentric shaft.
- This seal is available without gutter spring to reduce attaching pressure.

■ Rotation speed

Less than 16m/s

Address term	Main dimension (mm)		
	Shaft diameter (ϕd)	Outer diameter (ϕD)	width (B)
DYAP - 210 × 234 × 10	210	234	10
DYAP - 300 × 330 × 12	300	330	12
DYAP - 406.4 × 444.5 × 19	406.4	444.5	19
DYAP - 406.4 × 457.2 × 23	406.4	457.2	23
DYAP - 450 × 510 × 25	450	510	25

Address term	Main dimension (mm)		
	Shaft diameter (ϕd)	Outer diameter (ϕD)	width (B)
DYAP - 465 × 510 × 20	465	510	20
DYAP - 530 × 570 × 20	530	570	20
DYAP - 570 × 620 × 22	570	620	22
DYAP - 680 × 730 × 25	680	730	25