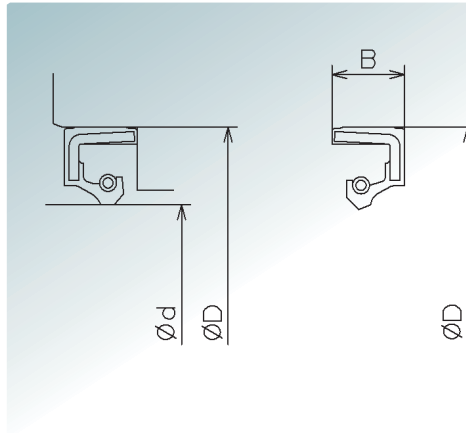


■ Use... “Use” part is explaining about sealing object and installation precautions.

■ Rotation speed... This part is explaining about seal’s applicable rotation speed based on our usage record.

※ Please contact our Seals Department for higher rotation use.

DYA type ※ L type available.



■ Use

• Grease and oil seal.

■ Rotation speed

Less than 20m/s

Address term	Main dimension (mm)			※	Address term	Main dimension (mm)		
	Shaft diameter (φd)	Outer diameter (φD)	width (B)			Shaft diameter (φd)	Outer diameter (φD)	width (B)
DYA - 70 × 95 × 13	70	95	13		DYA - 360 × 400 × 17	360	400	17
DYA - 80 × 105 × 13	80	105	13		DYA - 380 × 420 × 20	380	420	20
DYA - 110 × 140 × 14	110	140	14		DYA - 406.4 × 457.2 × 21	406.4	457.2	21
DYA - 190 × 220 × 15	190	220	15		DYA - 430 × 480 × 25	430	480	25
DYA - 190 × 225 × 16	190	225	16		DYA - 440 490 17	440	490	17
DYA - 200 × 230 × 15	200	230	15		DYA - 450 480 17.5	450	480	17.5
DYA - 200 × 240 × 20	200	240	20		DYA - 460 500 20	460	500	20
DYA - 210 × 240 × 12	210	240	12		DYA - 500 540 20	500	540	20
DYA - 215 × 240 × 12	215	240	12		DYA - 550 610 25	550	610	25
DYA - 220 × 260 × 22	220	260	22		DYA - 570 620 22	570	620	22
DYA - 220 × 275 × 20	220	275	20		DYA - 620 680 23	620	680	23
DYA - 250 × 280 × 15	250	280	15		DYA - 647.7 698.5 22	647.7	698.5	22
DYA - 250 × 310 × 25	250	310	25		DYA - 685.8 736.6 22	685.8	736.6	22
DYA - 260 × 290 × 16	260	290	16		DYA - 780 830 25	780	830	25
DYA - 260 × 300 × 20	260	300	20		DYA - 840 890 25	840	890	25
DYA - 270 × 330 × 25	270	330	25		DYA - 863.6 914.4 22	863.6	914.4	22
※ DYA - 280 × 320 × 17	280	320	17		DYA - 882.6 933.4 22	882.6	933.4	22
※ DYA - 310 × 370 × 25	310	370	25		※ DYA - 940 1000 25	940	1000	25
※ DYA - 320 × 360 × 18	320	360	18		※ DYA - 950 1000 23	950	1000	23
※ DYA - 320 × 360 × 20	320	360	20					

※NOTICE... Seal with some projections on the back side as a spacer is available.