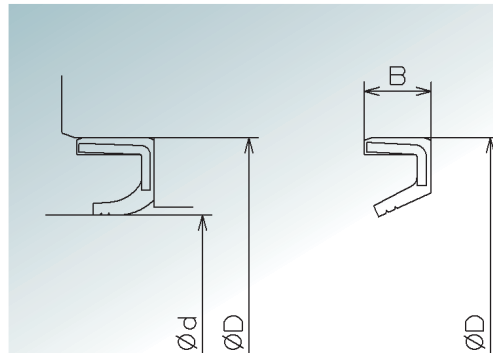


■ Use... "Use" part is explaining about sealing object and installation precautions.

■ Rotation speed... This part is explaining about seal's applicable rotation speed based on our usage record.

※ Please contact our Seals Department for higher rotation use.



■ Use

• Dust, Splash water and steam seal.

■ Rotation speed

Less than 10m/s

※ This seal is usable at 0.2MPa condition under 1m/s rotation speed.

Address term	Main dimension (mm)		
	Shaft diameter (ϕd)	Outer diameter (ϕD)	width (B)
DY - 25 × 40 × 8	25	40	8
DY - 28 × 40 × 5	28	40	5
DY - 35 × 45 × 5	35	45	5
DY - 35 × 55 × 11	35	55	11
DY - 40 × 52 × 8	40	52	8
DY - 40 × 58 × 8	40	58	8
DY - 46 × 64 × 9	46	64	9
DY - 48 × 70 × 9	48	70	9
DY - 56 × 70 × 6	56	70	6
DY - 60 × 75 × 6	60	75	6
DY - 60 × 75 × 8	60	75	8
DY - 60 × 80 × 10	60	80	10
DY - 60 × 82 × 12	60	82	12
DY - 65 × 83 × 9	65	83	9
DY - 65 × 90 × 13	65	90	13
DY - 70 × 83 × 9	70	83	9
DY - 70 × 90 × 10	70	90	10
DY - 75 × 90 × 8	75	90	8
DY - 75 × 90 × 10	75	90	10
DY - 75 × 95 × 9	75	95	9
DY - 75 × 100 × 9	75	100	9
DY - 76.2 × 98.45 × 10	76.2	98.45	10
DY - 80 × 98 × 9	80	98	9
DY - 80 × 105 × 8	80	105	8
DY - 80 × 105 × 10	80	105	10
DY - 80 × 105 × 13	80	105	13
DY - 82 × 102 × 9	82	102	9
DY - 85 × 103 × 10	85	103	10
DY - 85 × 105 × 10	85	105	10
DY - 85 × 110 × 13	85	110	13
DY - 90 × 110 × 10	90	110	10
DY - 90 × 115 × 13	90	115	13
DY - 95 × 115 × 10	95	115	10
DY - 100 × 115 × 8	100	115	8
DY - 100 × 115 × 9	100	115	9
DY - 100 × 120 × 10	100	120	10
DY - 100 × 125 × 10	100	125	10
DY - 100 × 125 × 13	100	125	13
DY - 105 × 135 × 14	105	135	14
DY - 110 × 130 × 10	110	130	10
DY - 110 × 130 × 13	110	130	13
DY - 110 × 140 × 14	110	140	14
DY - 113 × 125 × 10	113	125	10
DY - 114.3 × 142.8 × 14	114.3	142.8	14
DY - 115 × 135 × 10	115	135	10
DY - 120 × 140 × 6	120	140	6

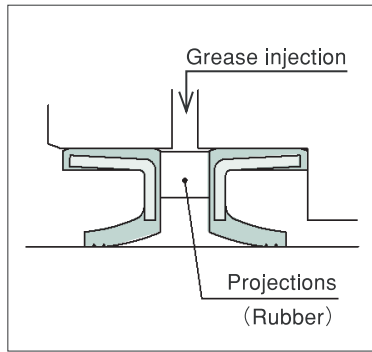
Address term	Main dimension (mm)		
	Shaft diameter (ϕd)	Outer diameter (ϕD)	width (B)
DY - 120 × 140 × 10	120	140	10
DY - 120 × 140 × 13	120	140	13
DY - 120 × 150 × 14	120	150	14
DY - 125 × 155 × 14	125	155	14
DY - 130 × 160 × 13	130	160	13
DY - 135 × 165 × 14	135	165	14
DY - 136 × 162 × 10	136	162	10
DY - 140 × 165 × 13	140	165	13
DY - 140 × 170 × 13	140	170	13
DY - 145 × 175 × 14	145	175	14
DY - 150 × 160 × 7.5	150	160	7.5
DY - 150 × 175 × 12.5	150	175	12.5
DY - 150 × 180 × 12	150	180	12
DY - 155 × 185 × 14	155	185	14
DY - 160 × 185 × 14	160	185	14
DY - 160 × 190 × 14	160	190	14
DY - 165 × 195 × 14	165	195	14
DY - 170 × 200 × 13	170	200	13
DY - 170 × 205 × 18	170	205	18
DY - 180 × 202 × 12	180	202	12
DY - 180 × 210 × 15	180	210	15
DY - 185 × 210 × 15	185	210	15
DY - 185 × 215 × 15	185	215	15
DY - 188 × 224 × 15	188	224	15
DY - 190 × 220 × 7	190	220	7
DY - 190 × 220 × 13	190	220	13
DY - 195 × 210 × 11	195	210	11
DY - 200 × 222 × 12	200	222	12
DY - 200 × 240 × 20	200	240	20
DY - 205 × 235 × 16	205	235	16
DY - 210 × 232 × 12	210	232	12
DY - 210 × 240 × 15	210	240	15
DY - 210 × 250 × 15	210	250	15
DY - 220 × 250 × 15	220	250	15
DY - 230 × 260 × 15	230	260	15
DY - 230 × 270 × 13	230	270	13
DY - 235 × 290 × 11	235	290	11
DY - 240 × 261 × 11	240	261	11
DY - 240 × 275 × 16	240	275	16
DY - 240 × 280 × 19	240	280	19
DY - 250 × 280 × 15	250	280	15
DY - 260 × 290 × 15	260	290	15
DY - 260 × 300 × 15	260	300	15
DY - 270 × 300 × 16	270	300	16
DY - 280 × 320 × 17	280	320	17
DY - 280 × 340 × 20	280	340	20

» DYtype

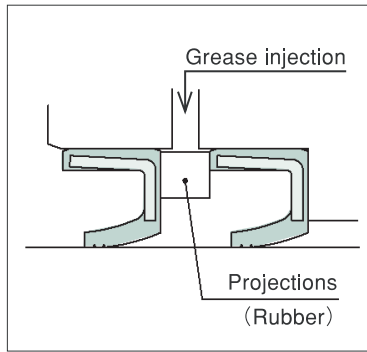
Address term	Main dimension (mm)		
	Shaft diameter (φd)	Outer diameter (φD)	width (B)
DY - 290 × 325 × 16	290	325	16
DY - 290 × 330 × 16	290	330	16
※ DY - 300 × 330 × 14	300	330	14
DY - 300 × 332 × 16	300	332	16

Address term	Main dimension (mm)		
	Shaft diameter (φd)	Outer diameter (φD)	width (B)
DY - 330 × 370 × 20	330	370	20
DY - 360 × 400 × 18	360	400	18
DY - 400 × 445 × 20	400	445	20
DY - 485 × 545 × 25	485	545	25

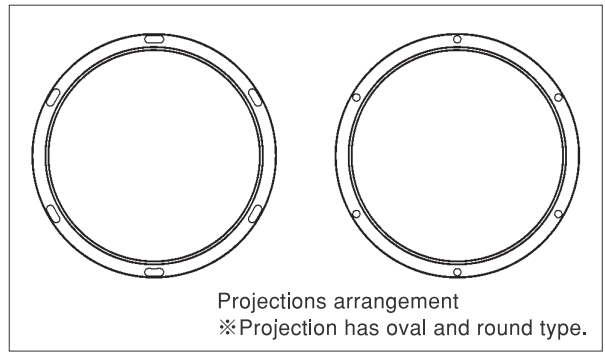
※NOTICE...Seal with some projections on the back side as a spacer is available.



Example of installation 1
(Separated V type)



Example of installation 2
(Doubly type)



Projections arrangement
※Projection has oval and round type.

Projections arrangement