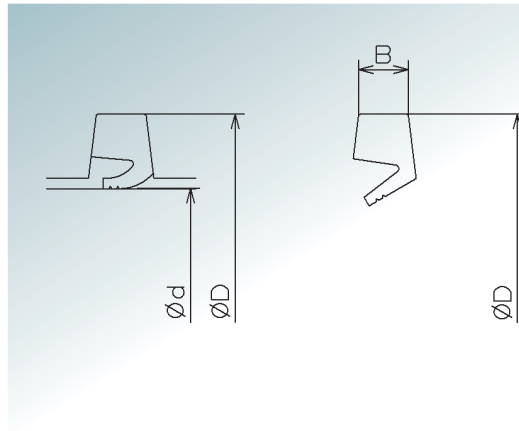


■ Use... “Use” part is explaining about sealing object and installation precautions.

■ Rotation speed... This part is explaining about seal’s applicable rotation speed based on our usage record.

※ Please contact our Seals Department for higher rotation use.

» DWZ type



■ Use

- Dust and Splash water seal.
- This seal is designed only for trapezoid gutter. (Divided housing for Plumber block and etc)

■ Rotation speed

Less than 10m/s

Address term	Main dimension (mm)		
	Shaft diameter (ϕd)	Outer diameter (ϕD)	width (B)
DWZ - 60 × 77 × 5	60	77	5
DWZ - 80 × 99 × 6	80	99	6
DWZ - 90 × 111 × 7	90	111	7
DWZ - 180 × 213 × 10	180	213	10

Address term	Main dimension (mm)		
	Shaft diameter (ϕd)	Outer diameter (ϕD)	width (B)
DWZ - 190 × 223 × 9.5	190	223	9.5
DWZ - 195 × 228 × 10	195	228	10
DWZ - 430 × 482 × 13	430	482	13