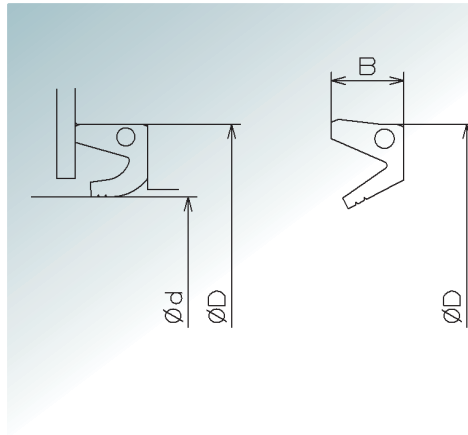


■Use...“Use” part is explaining about sealing object and installation precautions.

■Rotation speed...This part is explaining about seal’s applicable rotation speed based on our usage record.

※Please contact our Seals Department for higher rotation use.

» DWT type



■Use

- Dust ,Splash Water and muddy water.
- This seal require plate retainer for installation.

■Rotation speed

Less than 10m/s

※This seal is usable at 0.2MPa condition under 1m/s rotation speed.

| Address term | Mein dimension (mm) | | |
|----------------------|---------------------|---------------------|-------------|
| | Shaft diameter (φd) | Outer diameter (φD) | width (B) |
| DWT - 30 × 48 × 9 | 30 | 48 | NOTICE 8.5 |
| DWT - 35 × 53 × 9 | 35 | 53 | NOTICE 8.5 |
| DWT - 35 × 55 × 11 | 35 | 55 | 11 |
| DWT - 37 × 55 × 9 | 37 | 55 | NOTICE 8.5 |
| DWT - 38 × 58 × 11 | 38 | 58 | 11 |
| DWT - 40 × 58 × 9 | 40 | 58 | NOTICE 8.5 |
| DWT - 40 × 60 × 10 | 40 | 60 | NOTICE 9.5 |
| DWT - 40 × 62 × 11 | 40 | 62 | 11 |
| DWT - 42 × 60 × 6 | 42 | 60 | 6 |
| DWT - 42 × 65 × 12 | 42 | 65 | 12 |
| DWT - 45 × 65 × 10 | 45 | 65 | NOTICE 9.5 |
| DWT - 45 × 72 × 10 | 45 | 72 | 10 |
| DWT - 46 × 64 × 9 | 46 | 64 | NOTICE 8.5 |
| DWT - 48 × 70 × 9 | 48 | 70 | NOTICE 8.5 |
| DWT - 50 × 65 × 9 | 50 | 65 | NOTICE 8.5 |
| DWT - 50 × 70 × 10 | 50 | 70 | NOTICE 9.5 |
| DWT - 50 × 72 × 12 | 50 | 72 | 12 |
| DWT - 54 × 72 × 9 | 54 | 72 | NOTICE 8.5 |
| DWT - 55 × 70 × 9 | 55 | 70 | NOTICE 8.5 |
| DWT - 55 × 75 × 10 | 55 | 75 | NOTICE 9.5 |
| DWT - 60 × 78 × 9 | 60 | 78 | NOTICE 8.5 |
| DWT - 60 × 79.4 × 10 | 60 | 79.4 | 10 |
| DWT - 60 × 80 × 10 | 60 | 80 | NOTICE 9.5 |
| DWT - 60 × 80 × 12 | 60 | 80 | 12 |
| DWT - 60 × 82 × 12 | 60 | 82 | 12 |
| DWT - 60 × 90 × 14 | 60 | 90 | 14 |
| DWT - 63 × 85 × 9 | 63 | 85 | NOTICE 8.5 |
| DWT - 65 × 83 × 9 | 65 | 83 | NOTICE 8.5 |
| DWT - 65 × 85 × 10 | 65 | 85 | NOTICE 9.5 |
| DWT - 65 × 90 × 13 | 65 | 90 | 13 |
| DWT - 70 × 90 × 10 | 70 | 90 | NOTICE 9.5 |
| DWT - 70 × 92 × 12 | 70 | 92 | 12 |
| DWT - 70 × 95 × 12 | 70 | 95 | 12 |
| DWT - 70 × 95 × 13 | 70 | 95 | 13 |
| DWT - 72 × 90 × 10 | 72 | 90 | NOTICE 9.5 |
| DWT - 75 × 95 × 9 | 75 | 95 | NOTICE 8.5 |
| DWT - 75 × 95 × 10 | 75 | 95 | NOTICE 9.5 |
| DWT - 75 × 100 × 12 | 75 | 100 | 12 |
| DWT - 76 × 102 × 14 | 76 | 102 | NOTICE 13.5 |
| DWT - 80 × 98 × 9 | 80 | 98 | NOTICE 8.5 |
| DWT - 80 × 100 × 10 | 80 | 100 | NOTICE 9.5 |

| Address term | Mein dimension (mm) | | |
|--------------------------|---------------------|---------------------|-------------|
| | Shaft diameter (φd) | Outer diameter (φD) | width (B) |
| DWT - 80 × 102 × 12 | 80 | 102 | 12 |
| DWT - 82 × 102 × 9 | 82 | 102 | NOTICE 8 |
| DWT - 85 × 103 × 10 | 85 | 103 | NOTICE 9.5 |
| DWT - 85 × 105 × 10 | 85 | 105 | NOTICE 9.5 |
| DWT - 85 × 110 × 13 | 85 | 110 | 13 |
| DWT - 90 × 110 × 10 | 90 | 110 | NOTICE 9.5 |
| DWT - 90 × 115 × 12 | 90 | 115 | 12 |
| DWT - 90 × 115 × 13 | 90 | 115 | 13 |
| DWT - 90 × 115.4 × 12 | 90 | 115.4 | 12 |
| DWT - 93 × 118 × 13 | 93 | 118 | 13 |
| DWT - 95 × 108 × 7 | 95 | 108 | 7 |
| DWT - 95 × 115 × 10 | 95 | 115 | NOTICE 9.5 |
| DWT - 95 × 115 × 13 | 95 | 115 | 13 |
| DWT - 95 × 120 × 12 | 95 | 120 | 12 |
| DWT - 100 × 115 × 8 | 100 | 115 | 8 |
| DWT - 100 × 120 × 10 | 100 | 120 | NOTICE 9.5 |
| DWT - 100 × 125 × 13 | 100 | 125 | 13 |
| DWT - 105 × 125 × 10 | 105 | 125 | NOTICE 9.5 |
| DWT - 105 × 130 × 12 | 105 | 130 | 12 |
| DWT - 105 × 130 × 14 | 105 | 130 | 14 |
| DWT - 105 × 135 × 11 | 105 | 135 | 11 |
| DWT - 105 × 135 × 14 | 105 | 135 | 14 |
| DWT - 110 × 130 × 10 | 110 | 130 | NOTICE 9.5 |
| DWT - 110 × 140 × 11 | 110 | 140 | 11 |
| DWT - 110 × 140 × 14 | 110 | 140 | 14 |
| DWT - 112 × 133 × 8 | 112 | 133 | 8 |
| DWT - 115 × 135 × 10 | 115 | 135 | NOTICE 9.5 |
| DWT - 115 × 139 × 9 | 115 | 139 | 8 |
| DWT - 115 × 145 × 14 | 115 | 145 | 14 |
| DWT - 120 × 140 × 10 | 120 | 140 | NOTICE 9.5 |
| DWT - 120 × 155 × 13 | 120 | 155 | 13 |
| DWT - 125 × 145 × 10 | 125 | 145 | NOTICE 9.5 |
| DWT - 125 × 155 × 14 | 125 | 155 | 14 |
| DWT - 130 × 150 × 9 | 130 | 150 | 9 |
| DWT - 130 × 155 × 10 | 130 | 155 | 10 |
| DWT - 130 × 160 × 13 | 130 | 160 | 13 |
| DWT - 130 × 160 × 14 | 130 | 160 | 14 |
| DWT - 132.5 × 172.5 × 16 | 132.5 | 172.5 | 16 |
| DWT - 135 × 155 × 9 | 135 | 155 | NOTICE 8 |
| DWT - 135 × 165 × 14 | 135 | 165 | 14 |
| DWT - 135 × 170 × 12 | 135 | 170 | NOTICE 11.5 |

NOTICE...Address term and width dimension is different.

DWT type

| Address term | Main dimension (mm) | | |
|------------------------|---------------------|---------------------|------------|
| | Shaft diameter (φd) | Outer diameter (φD) | width (B) |
| DWT - 136 × 162 × 10 | 136 | 162 | 10 |
| DWT - 140 × 160 × 10 | 140 | 160 | 9.5 |
| DWT - 140 × 162 × 12 | 140 | 162 | 12 |
| DWT - 140 × 165 × 14 | 140 | 165 | 14 |
| DWT - 140 × 166 × 10 | 140 | 166 | 10 |
| DWT - 140 × 170 × 13 | 140 | 170 | 13 |
| DWT - 143 × 165 × 10 | 143 | 165 | 10 |
| DWT - 145 × 165 × 10 | 145 | 165 | NOTICE 9.5 |
| DWT - 145 × 175 × 14 | 145 | 175 | 14 |
| DWT - 148 × 170 × 10 | 148 | 170 | 10 |
| DWT - 150 × 170 × 9 | 150 | 170 | NOTICE 8 |
| DWT - 150 × 170 × 10 | 150 | 170 | NOTICE 9.5 |
| DWT - 150 × 180 × 14 | 150 | 180 | 14 |
| DWT - 150 × 185 × 18 | 150 | 185 | 18 |
| DWT - 155 × 173 × 8 | 155 | 173 | 8 |
| DWT - 155 × 177 × 12 | 155 | 177 | 12 |
| DWT - 160 × 180 × 9 | 160 | 180 | NOTICE 8 |
| DWT - 160 × 182 × 12 | 160 | 182 | 12 |
| DWT - 160 × 185 × 11 | 160 | 185 | 11 |
| DWT - 160 × 185 × 14 | 160 | 185 | 14 |
| DWT - 160 × 190 × 14 | 160 | 190 | 14 |
| DWT - 165 × 190 × 10 | 165 | 190 | 10 |
| DWT - 165 × 190 × 14 | 165 | 190 | 14 |
| DWT - 165 × 197 × 15 | 165 | 197 | 15 |
| DWT - 170 × 192 × 12 | 170 | 192 | 12 |
| DWT - 170 × 195 × 14 | 170 | 195 | 14 |
| DWT - 170 × 200 × 13 | 170 | 200 | 13 |
| DWT - 170 × 200 × 15 | 170 | 200 | 15 |
| DWT - 170 × 200 × 15 | 170 | 200 | 15 |
| DWT - 175 × 193 × 8 | 175 | 193 | 8 |
| DWT - 180 × 202 × 12 | 180 | 202 | 12 |
| DWT - 180 × 205 × 15 | 180 | 205 | 15 |
| DWT - 180 × 210 × 12 | 180 | 210 | 12 |
| DWT - 180 × 210 × 13 | 180 | 210 | 13 |
| DWT - 180 × 210 × 14 | 180 | 210 | 14 |
| DWT - 180 × 210 × 15 | 180 | 210 | 15 |
| DWT - 180 × 215 × 13 | 180 | 215 | 13 |
| DWT - 181 × 204 × 9 | 181 | 204 | 9 |
| DWT - 185 × 207 × 12 | 185 | 207 | 12 |
| DWT - 185 × 209 × 15 | 185 | 209 | 15 |
| DWT - 185 × 210 × 15 | 185 | 210 | 15 |
| DWT - 185 × 215 × 15 | 185 | 215 | 15 |
| DWT - 190 × 212 × 12 | 190 | 212 | 12 |
| DWT - 190 × 220 × 14 | 190 | 220 | 14 |
| DWT - 190 × 220 × 15 | 190 | 220 | 15 |
| DWT - 190 × 225 × 15 | 190 | 225 | 15 |
| DWT - 190 × 226 × 20 | 190 | 226 | 20 |
| DWT - 190 × 230 × 20 | 190 | 230 | 20 |
| DWT - 193 × 223 × 15 | 193 | 223 | 15 |
| DWT - 195 × 230 × 12.5 | 195 | 230 | 12.5 |
| DWT - 200 × 220 × 12 | 200 | 220 | 12 |
| DWT - 200 × 222 × 12 | 200 | 222 | 12 |
| DWT - 200 × 225 × 15 | 200 | 225 | 15 |
| DWT - 200 × 230 × 14 | 200 | 230 | 14 |
| DWT - 200 × 230 × 15 | 200 | 230 | 15 |
| DWT - 200 × 255 × 22 | 200 | 255 | 22 |
| DWT - 205 × 230 × 15 | 205 | 230 | 15 |
| DWT - 208 × 248 × 15 | 208 | 248 | 15 |
| DWT - 210 × 232 × 12 | 210 | 232 | 12 |
| DWT - 210 × 240 × 13 | 210 | 240 | 13 |
| DWT - 210 × 240 × 15 | 210 | 240 | 15 |
| DWT - 210 × 250 × 15 | 210 | 250 | 15 |

| Address term | Main dimension (mm) | | |
|------------------------|---------------------|---------------------|-----------|
| | Shaft diameter (φd) | Outer diameter (φD) | width (B) |
| DWT - 210 × 260 × 25 | 210 | 260 | 25 |
| DWT - 220 × 250 × 11 | 220 | 250 | 11 |
| DWT - 220 × 250 × 15 | 220 | 250 | 15 |
| DWT - 220 × 260 × 18.5 | 220 | 260 | 18.5 |
| DWT - 230 × 255 × 11 | 230 | 255 | NOTICE 10 |
| DWT - 230 × 260 × 15 | 230 | 260 | 15 |
| DWT - 230 × 270 × 16 | 230 | 270 | 16 |
| DWT - 235 × 260 × 10 | 235 | 260 | 10 |
| DWT - 239 × 269 × 13 | 239 | 269 | 13 |
| DWT - 239 × 269 × 16 | 239 | 269 | 16 |
| DWT - 240 × 270 × 15 | 240 | 270 | 15 |
| DWT - 240 × 275 × 16 | 240 | 275 | 16 |
| DWT - 240 × 290 × 16 | 240 | 290 | 16 |
| DWT - 240 × 300 × 24 | 240 | 300 | 24 |
| DWT - 250 × 274 × 12 | 250 | 274 | 12 |
| DWT - 250 × 280 × 15 | 250 | 280 | 15 |
| DWT - 250 × 285 × 15 | 250 | 285 | 15 |
| DWT - 250 × 290 × 16 | 250 | 290 | 16 |
| DWT - 250 × 310 × 23 | 250 | 310 | 23 |
| DWT - 255 × 300 × 20 | 255 | 300 | 20 |
| DWT - 260 × 284 × 12 | 260 | 284 | 12 |
| DWT - 260 × 300 × 15 | 260 | 300 | 15 |
| DWT - 260 × 300 × 20 | 260 | 300 | 20 |
| DWT - 270 × 310 × 20 | 270 | 310 | 20 |
| DWT - 280 × 340 × 20 | 280 | 340 | 20 |
| DWT - 285 × 325 × 20 | 285 | 325 | 20 |
| DWT - 296 × 340 × 16 | 296 | 340 | 16 |
| DWT - 300 × 340 × 20 | 300 | 340 | 20 |
| DWT - 300 × 345 × 22 | 300 | 345 | 22 |
| DWT - 310 × 350 × 20 | 310 | 350 | 20 |
| DWT - 318 × 360 × 20 | 318 | 360 | 20 |
| DWT - 320 × 358 × 20 | 320 | 358 | 20 |
| DWT - 320 × 380 × 23 | 320 | 380 | 23 |
| DWT - 320 × 380 × 25 | 320 | 380 | 25 |
| DWT - 330 × 370 × 20 | 330 | 370 | 20 |
| DWT - 330 × 390 × 25 | 330 | 390 | 25 |
| DWT - 340 × 380 × 20 | 340 | 380 | 20 |
| DWT - 340 × 390 × 20 | 340 | 390 | 20 |
| DWT - 345 × 400 × 25 | 345 | 400 | 25 |
| DWT - 350 × 390 × 20 | 350 | 390 | 20 |
| DWT - 360 × 400 × 20 | 360 | 400 | 20 |
| DWT - 360 × 405 × 25 | 360 | 405 | 25 |
| DWT - 360 × 410 × 25 | 360 | 410 | 25 |
| DWT - 370 × 415 × 20 | 370 | 415 | 20 |
| DWT - 380 × 420 × 20 | 380 | 420 | 20 |
| DWT - 380 × 440 × 25 | 380 | 440 | 25 |
| DWT - 385 × 428 × 16 | 385 | 428 | 16 |
| DWT - 395 × 445 × 25 | 395 | 445 | 25 |
| DWT - 400 × 445 × 20 | 400 | 445 | 20 |
| DWT - 410 × 450 × 20 | 410 | 450 | 20 |
| DWT - 420 × 460 × 20 | 420 | 460 | 20 |
| DWT - 420 × 470 × 20 | 420 | 470 | 20 |
| DWT - 430 × 465 × 15 | 430 | 465 | 15 |
| DWT - 430 × 470 × 20 | 430 | 470 | 20 |
| DWT - 432 × 476 × 16 | 432 | 476 | 16 |
| DWT - 440 × 480 × 15 | 440 | 480 | 15 |
| DWT - 440 × 480 × 20 | 440 | 480 | 20 |
| DWT - 450 × 500 × 25 | 450 | 500 | 25 |
| DWT - 460 × 490 × 15 | 460 | 490 | 15 |
| DWT - 460 × 500 × 20 | 460 | 500 | 20 |
| DWT - 460 × 510 × 20 | 460 | 510 | 20 |
| DWT - 460 × 510 × 25 | 460 | 510 | 25 |

NOTICE...Address term and width dimension is different.

» DWT type

| Address term | Mein dimension (mm) | | |
|----------------------|--------------------------------|--------------------------------|--------------|
| | Shaft diameter (ϕd) | Outer diameter (ϕD) | width (B) |
| DWT - 460 × 520 × 25 | 460 | 520 | 25 |
| DWT - 469 × 519 × 16 | 469 | 519 | 16 |
| DWT - 470 × 510 × 20 | 470 | 510 | 20 |
| DWT - 470 × 520 × 22 | 470 | 520 | 22 |
| DWT - 470 × 520 × 25 | 470 | 520 | 25 |
| DWT - 480 × 520 × 20 | 480 | 520 | 20 |
| DWT - 480 × 530 × 22 | 480 | 530 | 22 |
| DWT - 480 × 540 × 25 | 480 | 540 | 25 |
| DWT - 492 × 536 × 16 | 492 | 536 | 16 |
| DWT - 500 × 540 × 20 | 500 | 540 | 20 |
| DWT - 500 × 550 × 25 | 500 | 550 | 25 |
| DWT - 510 × 560 × 25 | 510 | 560 | 25 |
| DWT - 510 × 570 × 30 | 510 | 570 | 30 |
| DWT - 515 × 565 × 20 | 515 | 565 | 20 |
| DWT - 520 × 550 × 15 | 520 | 550 | 15 |
| DWT - 520 × 560 × 20 | 520 | 560 | 20 |

| Address term | Mein dimension (mm) | | |
|--------------------------|--------------------------------|--------------------------------|--------------|
| | Shaft diameter (ϕd) | Outer diameter (ϕD) | width (B) |
| DWT - 530 × 570 × 20 | 530 | 570 | 20 |
| DWT - 530 × 580 × 20 | 530 | 580 | 20 |
| DWT - 530 × 590 × 30 | 530 | 590 | 30 |
| DWT - 550 × 600 × 20 | 550 | 600 | 20 |
| DWT - 570 × 620 × 22 | 570 | 620 | 22 |
| DWT - 600 × 650 × 25 | 600 | 650 | 25 |
| DWT - 630 × 680 × 20 | 630 | 680 | 20 |
| DWT - 670 × 720 × 25 | 670 | 720 | 25 |
| DWT - 673.1 × 711.2 × 19 | 673.1 | 711.2 | 19 |
| DWT - 680 × 730 × 20 | 680 | 730 | 20 |
| DWT - 680 × 740 × 25 | 680 | 740 | 25 |
| DWT - 690 × 730 × 20 | 690 | 730 | 20 |
| DWT - 708 × 752 × 22 | 708 | 752 | 22 |
| DWT - 760 × 810 × 25 | 760 | 810 | 25 |
| DWT - 830 × 870 × 20 | 830 | 870 | 20 |
| | | | |