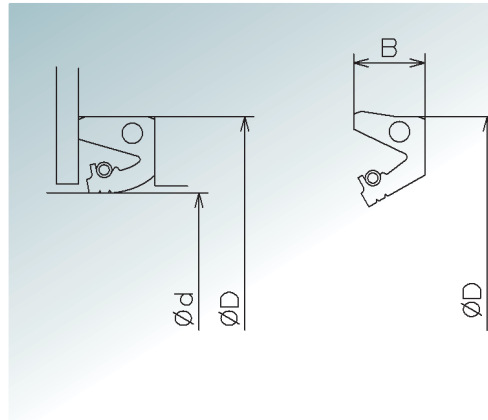


■ Use... "Use" part is explaining about sealing object and installation precautions.

■ Rotation speed... This part is explaining about seal's applicable rotation speed based on our usage record.

※ Please contact our Seals Department for higher rotation use.

» DWS type



■ Use

- Dust, Splash water and steam seal.
- This seal require plate retainer for installation.
- This seal is mainly used for steam and dust sealing for shaft bearing at iron manufacturing equipment at high temperature. (Fluorine rubber material)

■ Rotation speed

Rotation Speed Less than 5m/s

Address term	Main dimension (mm)		
	Shaft diameter (φd)	Outer diameter (φD)	width (B)
DWS - 65 × 90 × 13	65	90	13
DWS - 100 × 125 × 14	100	125	14
DWS - 110 × 140 × 14	110	140	14
DWS - 120 × 150 × 14	120	150	14
DWS - 130 × 150 × 9	130	150	9
DWS - 130 × 160 × 14	130	160	14
DWS - 135 × 165 × 12	135	165	12
DWS - 140 × 170 × 14	140	170	14
DWS - 145 × 165 × 10	145	165	NOTICE 9,5
DWS - 145 × 175 × 14	145	175	14
DWS - 160 × 182 × 12	160	182	12
DWS - 160 × 190 × 14	160	190	14
DWS - 165 × 190 × 14	165	190	14
DWS - 170 × 192 × 12	170	192	12
DWS - 170 × 195 × 14	170	195	14

Address term	Main dimension (mm)		
	Shaft diameter (φd)	Outer diameter (φD)	width (B)
DWS - 170 × 200 × 13	170	200	13
DWS - 180 × 205 × 15	180	205	15
DWS - 180 × 210 × 14	180	210	14
DWS - 185 × 207 × 12	185	207	12
DWS - 190 × 220 × 14	190	220	14
DWS - 190 × 225 × 15	190	225	15
DWS - 200 × 225 × 15	200	225	15
DWS - 200 × 230 × 14	200	230	14
DWS - 210 × 240 × 13	210	240	13
DWS - 220 × 250 × 15	220	250	15
DWS - 240 × 270 × 13	240	270	13
DWS - 250 × 280 × 15	250	280	15
DWS - 260 × 300 × 17	260	300	17
DWS - 280 × 320 × 20	280	320	20
DWS - 300 × 340 × 20	300	340	20

NOTICE...Address term and width dimension is different.