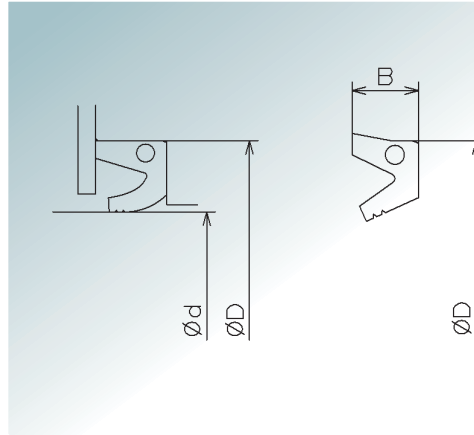


■ Use... "Use" part is explaining about sealing object and installation precautions.

■ Rotation speed... This part is explaining about seal's applicable rotation speed based on our usage record.

※ Please contact our Seals Department for higher rotation use.

## » DWH type



### ■ Use

- Dust, Splash Water and Muddy water seal
- This seal require plate retainer for installation.
- We have usage record of Shaft expansion and contraction for this seal.

### ■ Rotation speed

Less than 10m/s

※ This seal is usable at 0.2MPa condition under 1m/s rotation speed.

Address term	Main dimension (mm)		
	Shaft diameter (φd)	Outer diameter (φD)	width (B)
DWH - 30 × 48 × 9	30	48	NOTICE 8.5
DWH - 35 × 50 × 8	35	50	8
DWH - 45 × 68 × 12	45	68	12
DWH - 53.7 × 73.2 × 9.5	53.7	73.2	9.5
DWH - 55 × 78 × 12	55	78	12
DWH - 60 × 82 × 12	60	82	12
DWH - 60 × 85 × 13	60	85	13
DWH - 62.2 × 88.9 × 12	62.2	88.9	12
DWH - 70 × 95 × 13	70	95	13
DWH - 71 × 95.3 × 10	71	95.3	10
DWH - 80 × 105 × 13	80	105	13
DWH - 81.2 × 114.2 × 16	81.2	114.2	16
DWH - 85.4 × 104.9 × 7.5	85.4	104.9	7.5
DWH - 90 × 115 × 13	90	115	13
DWH - 100 × 125 × 13	100	125	13
DWH - 100.3 × 133.5 × 16	100.3	133.5	16
DWH - 107.5 × 113.4 × 10	107.5	113.4	10
DWH - 110 × 130 × 12	110	130	12
DWH - 110 × 140 × 14	110	140	14
DWH - 120 × 150 × 14	120	150	14
DWH - 125 × 155 × 12	125	155	NOTICE 11.5

Address term	Main dimension (mm)		
	Shaft diameter (φd)	Outer diameter (φD)	width (B)
DWH - 135 × 165 × 14	135	165	14
DWH - 140 × 170 × 14	140	170	14
DWH - 140 × 184 × 20	140	184	20
DWH - 150 × 180 × 12	150	180	NOTICE 11.5
DWH - 150 × 180 × 14	150	180	14
DWH - 160 × 190 × 16	160	190	16
DWH - 160 × 211 × 20	160	211	20
DWH - 170 × 200 × 15	170	200	15
DWH 180 210 15	180	210	NOTICE 14
DWH 200 230 15	200	230	15
DWH 220 250 15	220	250	15
DWH 230 260 15	230	260	15
DWH 265 305 15	265	305	15
DWH 270 310 20	270	310	20
DWH 290 330 22	290	330	22
DWH 320 360 20	320	360	20
DWH 500 560 25	500	560	25
DWH 530 570 20	530	570	20
DWH 560 610 20	560	610	20
DWH 950 1000 23	950	1000	23

NOTICE...Address term and width dimension is different.