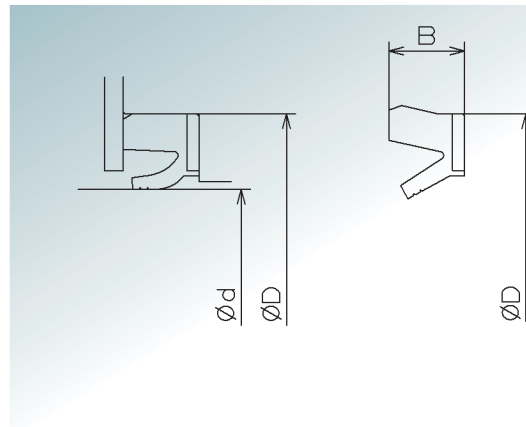


■ Use... "Use" part is explaining about sealing object and installation precautions.

■ Rotation speed... This part is explaining about seal's applicable rotation speed based on our usage record.

※ Please contact our Seals Department for higher rotation use.

» DPC type



■ Use

- Dust, Splash water and muddy water seal.
- This seal require plate retainer for installation.

■ Rotation speed

Less than 10m/s

Address term	Mein dimension (mm)		
	Shaft diameter (φd)	Outer diameter (φD)	width (B)
DPC - 20 × 30 × 7	20	30	7
DPC - 53 × 68 × 7.5	53	68	7.5
DPC - 75 × 90 × 6	75	90	NOTICE 5.5
DPC - 78 × 93 × 7.5	78	93	7.5
DPC - 82 × 96 × 6	82	96	NOTICE 5.5
DPC - 295 × 345 × 20	295	345	NOTICE 19
DPC - 320 × 360 × 20	320	360	NOTICE 19
DPC - 360 × 410 × 22	360	410	NOTICE 21
DPC - 390 × 430 × 20	390	430	NOTICE 19

Address term	Mein dimension (mm)		
	Shaft diameter (φd)	Outer diameter (φD)	width (B)
DPC - 460 × 500 × 20	460	500	NOTICE 19
DPC - 465 × 515 × 20	465	515	NOTICE 19
DPC - 510 × 560 × 22	510	560	NOTICE 21
DPC - 510 × 565 × 20	510	565	NOTICE 19
DPC - 530 × 570 × 20	530	570	NOTICE 19
DPC - 550 × 610 × 25	550	610	NOTICE 24
DPC - 650 × 700 × 20	650	700	20
DPC - 670 × 710 × 20	670	710	NOTICE 19

NOTICE... Address term and width dimension is different.