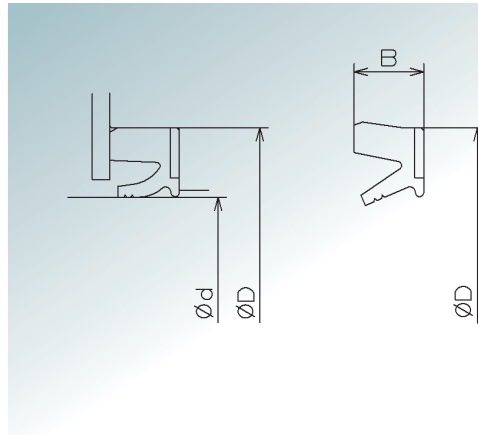


■ Use... "Use" part is explaining about sealing object and installation precautions.

■ Rotation speed... This part is explaining about seal's applicable rotation speed based on our usage record.

※ Please contact our Seals Department for higher rotation use.

DP type



■ Use

- Dust and Splash water seal.
- This seal has second lip for grease keeping.
- This seal is not available for eccentric shaft.
- This seal require plate retainer for installation.

■ Rotation speed

Less than 10m/s

Address term	Mein dimension (mm)		
	Shaft diameter (φd)	Outer diameter (φD)	width (B)
DP - 35 × 53 × 10	35	53	10
DP - 45 × 62 × 9	45	62	9
DP - 50 × 72 × 12	50	72	NOTICE 11
DP - 55 × 72 × 9	55	72	9
DP - 60 × 78 × 9	60	78	9
DP - 70 × 95 × 13	70	95	13
DP - 85 × 110 × 13	85	110	13
DP - 115 × 140 × 12.5	115	140	12.5
DP - 130 × 160 × 14	130	160	14
DP - 135 × 150 × 6	135	150	6
DP - 140 × 175 × 18	140	175	18
DP - 150 × 180 × 14	150	180	14

NOTICE... Address term and width dimension is different.

Address term	Mein dimension (mm)		
	Shaft diameter (φd)	Outer diameter (φD)	width (B)
DP 160 × 190 × 16	160	190	16
DP 180 × 210 × 16	180	210	16
DP 190 × 245 × 22	190	245	22
DP 200 × 240 × 20	200	240	20
DP 210 × 250 × 15	210	250	15
DP 225 × 255 × 18	225	255	18
DP 260 × 300 × 20	260	300	20
DP 300 × 340 × 14	300	340	14
DP 420 × 460 × 14	420	460	14
DP 460 × 500 × 14	460	500	14
DP 530 × 570 × 16	530	570	16
DP 615 × 655 × 11	615	655	11