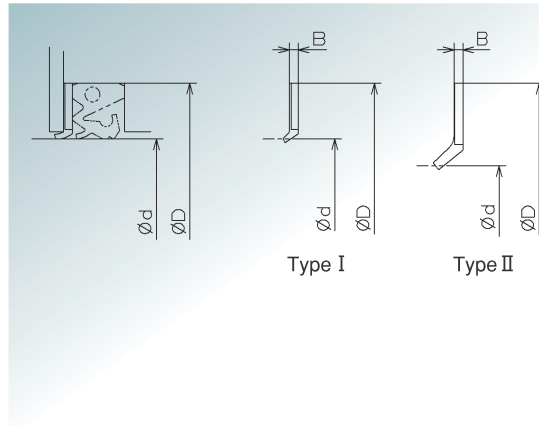


■ Use... “Use” part is explaining about sealing object and installation precautions.

■ Rotation speed... This part is explaining about seal’s applicable rotation speed based on our usage record.

※ Please contact our Seals Department for higher rotation use.

## » DGK type



### ■ Use

- Dust, scale and splash water seal.
- Tight space type dust seal.
- This seal is designed to be installed with other seal (plate retainer required).
- This seal is not available under pressure.
- DGK type seal has smaller lip compare to DGC type.

### ■ Rotation speed

Less than 2m/s

形状	Address term	Main dimension (mm)		
		Shaft diameter (φd)	Outer diameter (φD)	width (B)
I	DGK - 80 × 100 × 2	80	100	2
I	DGK - 80 × 100 × 2	80	100	2
I	DGK - 85 × 110 × 2	85	110	2
I	DGK - 120 × 145 × 2	120	145	2
I	DGK - 125 × 155 × 2	125	155	2
I	DGK - 130 × 155 × 2	130	155	2
I	DGK - 155 × 173 × 2	155	173	2
I	DGK - 190 × 225 × 2	190	225	2
I	DGK - 200 × 225 × 2	200	225	2
I	DGK - 200 × 240 × 2	200	240	2

形状	Address term	Main dimension (mm)		
		Shaft diameter (φd)	Outer diameter (φD)	width (B)
II	DGK - 210 × 240 × 1.6	210	240	1.6
I	DGK - 210 × 250 × 2	210	250	2
I	DGK - 220 × 250 × 2	220	250	2
I	DGK - 230 × 270 × 2	230	270	2
II	DGK - 240 × 270 × 1.6	240	270	1.6
I	DGK - 240 × 275 × 2	240	275	2
I	DGK - 250 × 274 × 2	250	274	2
I	DGK - 250 × 285 × 2	250	285	2
I	DGK - 250 × 300 × 3	250	300	3