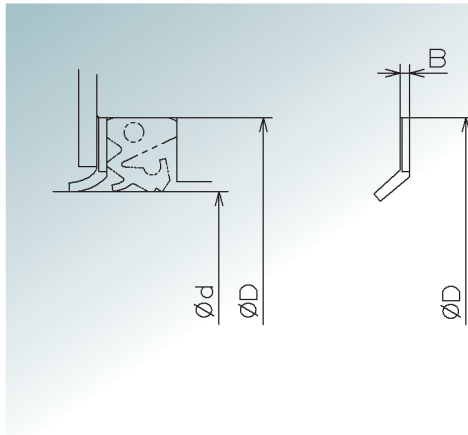


■ Use... “Use” part is explaining about sealing object and installation precautions.

■ Rotation speed... This part is explaining about seal’s applicable rotation speed based on our usage record.

※ Please contact our Seals Department for higher rotation use.

» DGC type



■ Use

- Dust, scale and splash water seal.
- Tight space type dust seal.
- This seal is designed to be installed with other seal (plate retainer required).
- This seal is not available under pressure.

■ Rotation speed

Less than 2m/s

Address term	Main dimension (mm)		
	Shaft diameter (φd)	Outer diameter (φD)	width (B)
DGC - 55 × 72 × 1.8	55	72	1.8
DGC - 60 × 75 × 3	60	75	3
DGC - 63.5 × 88.9 × 3	63.5	88.9	3
DGC - 65 × 90 × 3	65	90	3
DGC - 70 × 92 × 3	70	92	3
DGC - 80 × 105 × 3	80	105	3
DGC - 85 × 105 × 3	85	105	3
DGC - 85 × 110 × 3	85	110	3
DGC - 90 × 115 × 3	90	115	3
DGC - 95 × 115 × 3	95	115	3
DGC - 95 × 120 × 2	95	120	2
DGC - 95 × 125 × 2	95	125	2
DGC - 100 × 125 × 2	100	125	2
DGC - 100 × 130 × 2	100	130	2
DGC - 100 × 144 × 2.3	100	144	2.3
DGC - 110 × 130 × 1.6	110	130	1.6
DGC - 110 × 140 × 3	110	140	3
DGC - 115 × 145 × 2	115	145	2
DGC - 120 × 150 × 3	120	150	3
DGC - 130 × 160 × 3	130	160	3
DGC - 131.7 × 158.7 × 3	131.7	158.7	3
DGC - 140 × 165 × 3	140	165	3
DGC - 140 × 170 × 2	140	170	2
DGC - 140 × 170 × 3	140	170	3

Address term	Main dimension (mm)		
	Shaft diameter (φd)	Outer diameter (φD)	width (B)
DGC - 150 × 180 × 2	150	180	2
DGC - 150 × 180 × 3	150	180	3
DGC - 150 × 185 × 2	150	185	2
DGC - 160 × 190 × 3	160	190	3
DGC - 170 × 200 × 3	170	200	3
DGC - 180 × 210 × 3	180	210	3
DGC - 190 × 225 × 2	190	225	2
DGC - 200 × 235 × 3	200	235	3
DGC - 200 × 240 × 3	200	240	3
DGC - 210 × 240 × 2	210	240	2
DGC - 210 × 250 × 3	210	250	3
DGC - 220 × 250 × 3	220	250	3
DGC - 220 × 250 × 3	220	250	3
DGC - 230 × 270 × 2	230	270	2
DGC - 240 × 270 × 2	240	270	2
DGC - 250 × 285 × 2	250	285	2
DGC - 256 × 286 × 2	256	286	2
DGC - 260 × 300 × 3.5	260	300	3.5
DGC - 280 × 320 × 3	280	320	3
DGC - 290 × 350 × 3	290	350	3
DGC - 300 × 340 × 3	300	340	3
DGC - 300 × 345 × 2	300	345	2
DGC - 340 × 400 × 2	340	400	2