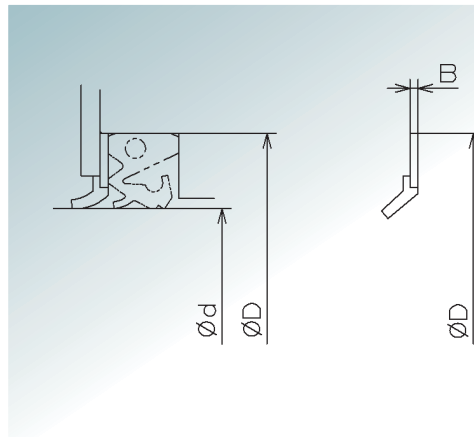


■ Use... “Use” part is explaining about sealing object and installation precautions.

■ Rotation speed... This part is explaining about seal’s applicable rotation speed based on our usage record.

※ Please contact our Seals Department for higher rotation use.

## » DGB type



### ■ Use

- Dust, scale and splash water seal.
- Tight space type dust seal.
- This seal is designed to installed with other seal (plate retainer required).
- This seal is not available under pressure.

### ■ Rotation speed

Less than 2m/s

Address term	Main dimension (mm)		
	Shaft diameter (φd)	Outer diameter (φD)	width (B)
DGB - 70 × 95 × 2	70	95	2
DGB - 110 × 140 × 1.6	110	140	1.6
DGB - 120 × 150 × 1.6	120	150	1.6

Address term	Main dimension (mm)		
	Shaft diameter (φd)	Outer diameter (φD)	width (B)
DGB - 140 × 170 × 2	140	170	2
DGB - 200 × 230 × 1.6	200	230	1.6
DGB - 240 × 275 × 1.6	240	275	1.6