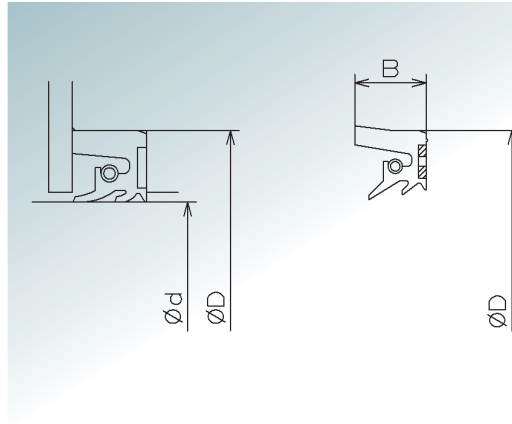


■ Use... “Use” part is explaining about sealing object and installation precautions.

■ Rotation speed... This part is explaining about seal’s applicable rotation speed based on our usage record.

※ Please contact our Seals Department for higher rotation use.

ATM type



■ Use

- Shaft seal for Vacuum machine.
- Fluorine rubber is often used for ATM type seal for high sliding heat.
- Grease injection is necessary in between lips.
- This seal require plate retainer for installation.

■ Rotation speed

Less than 0.5m/s

Address term	Mein dimension (mm)		
	Shaft diameter (ød)	Outer diameter (øD)	width (B)
ATM - 20 × 40 × 10	20	40	11
ATM - 25 × 45 × 10	25	45	11
ATM - 30 × 50 × 10	30	50	11
ATM - 45 × 70 × 13	45	70	14
ATM - 50 × 75 × 13	50	75	14
ATM - 70 × 95 × 13	70	95	14
ATM - 80 × 105 × 13	80	105	14
ATM - 90 × 115 × 14	90	115	15

Address term	Mein dimension (mm)		
	Shaft diameter (ød)	Outer diameter (øD)	width (B)
ATM - 95 × 120 × 13	95	120	14
ATM - 100 × 125 × 13	100	125	14
ATM - 110 × 140 × 14	110	140	15
ATM - 120 × 150 × 14	120	150	15
ATM - 140 × 170 × 14	140	170	15
ATM - 150 × 180 × 14	150	180	15
ATM - 170 × 195 × 13	170	195	14
ATM - 520 × 560 × 20	520	560	21